

**Flush plate for concealed WC cisterns made by Geberit angular - Brushed
Platinum**

MEM

12 665 980



- cover plate 169 x 246 x 12 mm
- Mechanical flush plate with manual flush buttons
- For 2-volume flushing system
- Includes mounting frame, actuator rods and fastening material
- Sound-absorbing push rods, tool-free fast adjustment
- Compatible with all Geberit Sigma series cisterns from 2001 onwards

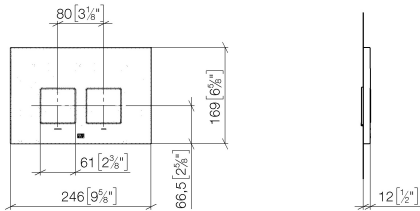
Fits: MEM, CL.1

| | | |
|---|-------------------------------|---------------|
|  | Brushed Platinum | 12 665 980-06 |
|  | Chrome | 12 665 980-00 |
|  | Platinum | 12 665 980-08 |
|  | Durabross (23kt Gold) | 12 665 980-09 |
|  | Dark Chrome | 12 665 980-19 |
|  | Light Gold | 12 665 980-26 |
|  | Brushed Light Gold | 12 665 980-27 |
|  | Brushed Durabross (23kt Gold) | 12 665 980-28 |
|  | Matte Black | 12 665 980-33 |
|  | Brushed Bronze | 12 665 980-42 |
|  | Brushed Champagne (22kt Gold) | 12 665 980-46 |
|  | Champagne (22kt Gold) | 12 665 980-47 |
|  | Brushed Chrome | 12 665 980-93 |
|  | Brushed Dark Platinum | 12 665 980-99 |

Flush plate for concealed WC cisterns made by Geberit angular - Brushed
Platinum

MEM

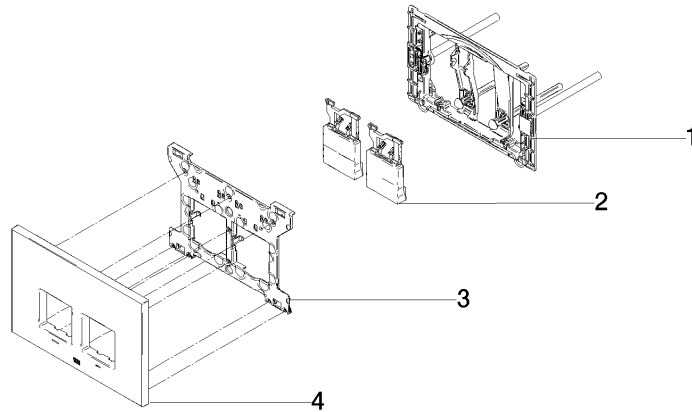
12 665 980
mm [inches]



Flush plate for concealed WC cisterns made by Geberit angular - Brushed Platinum

MEM

12 665 980
Parts for other
finishes can be found
here: Chrome



Spare parts list

| No. | Item Number | Name | Quantity used | Delivery time |
|-----|--------------------|--------|---------------|---------------|
| 1 | 90 28 01 030 00 90 | base | 1 | 2 |
| 2 | 90 20 98 000 00-06 | button | 2 | 10 |
| 3 | 90 28 10 212 00 90 | base | 2 | 2 |
| 4 | 90 11 98 012 00-06 | cover | 4 | - |

Spare part can no longer be ordered, please order the replacement item