

**VAIA Two-hole bridge mixer for rinsing/Profi spray - Brushed Chrome**

VAIA

19 825 809



- 241mm projection
- pivotable spout 360°
- air-enriched flow
- max. flow 7 l/min at 3 bar flow pressure
- lead-free
- This product can help a building meet the requirements of Green Building Rating Systems, e.g. LEED®, BREEAM®, DGNB

	Brushed Chrome	19 825 809-93
	Chrome	19 825 809-00
	Brushed Platinum	19 825 809-06
	Platinum	19 825 809-08
	Durabress (23kt Gold)	19 825 809-09
	Dark Chrome	19 825 809-19
	Brushed Durabress (23kt Gold)	19 825 809-28
	Matte Black	19 825 809-33
	Brushed Champagne (22kt Gold)	19 825 809-46
	Champagne (22kt Gold)	19 825 809-47
	Brushed Dark Platinum	19 825 809-99

**Recommended miscellaneous**

**VAIA Dispenser with rosette -** 82 434 809-93  
**Brushed Chrome**







## VAIA Two-hole bridge mixer for rinsing/Profi spray - Brushed Chrome

---

VAIA

19 825 809

Certificates

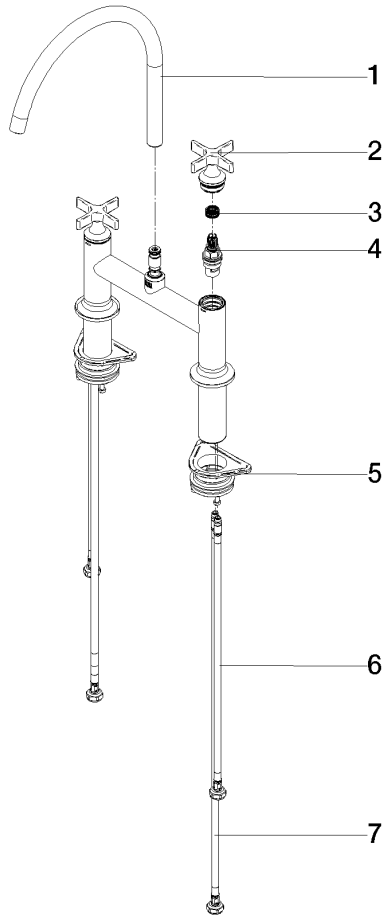
---

LGA\_38

19 825 809

**Product version from 7/1/2023**

Parts for other  
finishes can be found  
here: [Chrome](#)





VAIA Two-hole bridge mixer for rinsing/Profi spray - Brushed Chrome

VAIA

19 825 809

**Spare parts list**

**Product version from 7/1/2023**

No.	Item Number	Name	Quantity used	Delivery time
	90 28 22 396 00-93	spout	13	60