

20 713 809



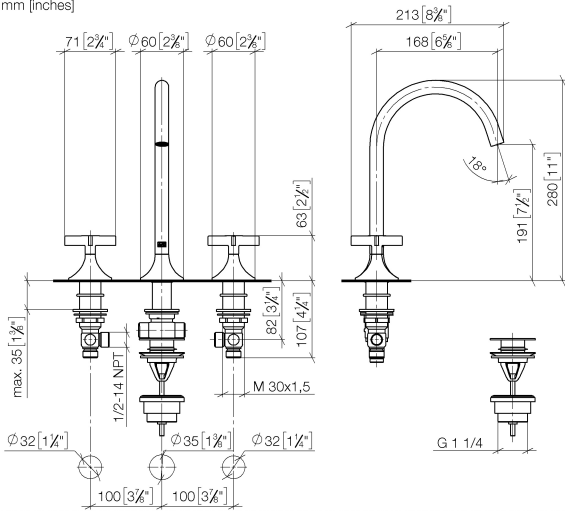
- 168mm projection
- pivotable spout 360°
- circular, air-enriched flow
- height of mixer 280 mm
- height up to aerator 191 mm
- hole diameter valve 32 mm
- hole diameter spout 35 mm
- rosette Ø 60 mm
- max. flow 5.7 l/min
- lead-free
- This product can help a building meet the requirements of Green Building Rating Systems, e.g. LEED®, BREEAM®, DGNB
- WRAS 2312068

Only suitable for basins with an overflow.

| | | |
|--|--------------------------------|---------------|
|  | Dark Chrome | 20 713 809-19 |
|  | Chrome | 20 713 809-00 |
|  | Brushed Platinum | 20 713 809-06 |
|  | Platinum | 20 713 809-08 |
|  | Brushed Durabronze (23kt Gold) | 20 713 809-28 |
|  | Brushed Bronze | 20 713 809-42 |
|  | Brushed Champagne (22kt Gold) | 20 713 809-46 |
|  | Champagne (22kt Gold) | 20 713 809-47 |
|  | Brushed Dark Platinum | 20 713 809-99 |

20 713 809

mm [inches]



Flow rate chart



Codes & Standards

DIN 4109

Executive Order
no. 1007

ISO 3822

Scottish Water
Byelaws

UK Water Supply
Regulations

Ü-Zeichen



VAIA Three-hole basin mixer with pop-up waste - Dark Chrome

VAIA

20 713 809

Certificates

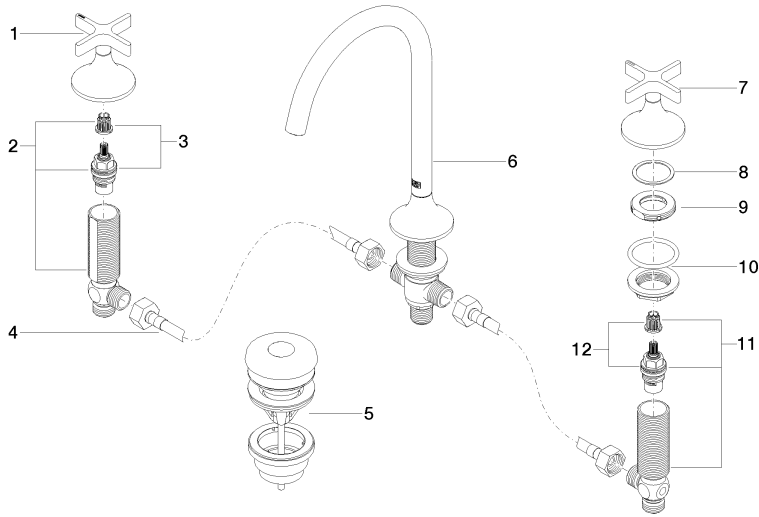
GDV_0400

LGA_29

WRAS_2312

20 713 809

Parts for other finishes can be found here: [Chrome](#)





Spare parts list