

20 713 882 Product version from 6/25/2021

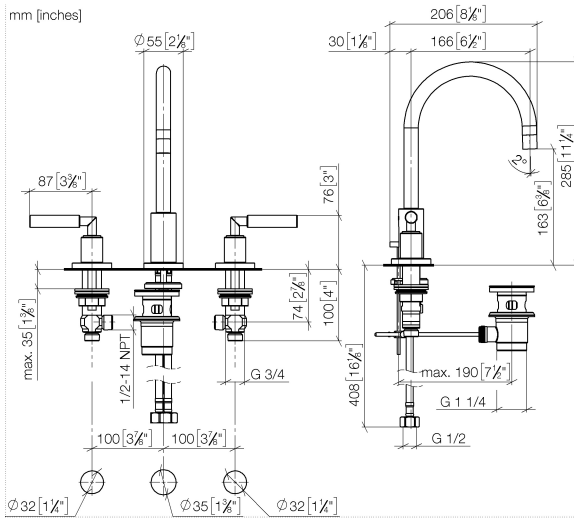


- 165mm projection
- pivotable spout 360°
- circular, air-enriched flow
- height of mixer 285 mm
- height up to aerator 163 mm
- hole diameter valve 32 mm
- hole diameter spout 35 mm
- rosette Ø 55 mm
- 2x screw-in M 10 x 1 pressure hose, leak-tested
- max. flow 7 l/min
- lead-free
- WRAS
- This product can help a building meet the requirements of Green Building Rating Systems, e.g. LEED®, BREEAM®, DGNB

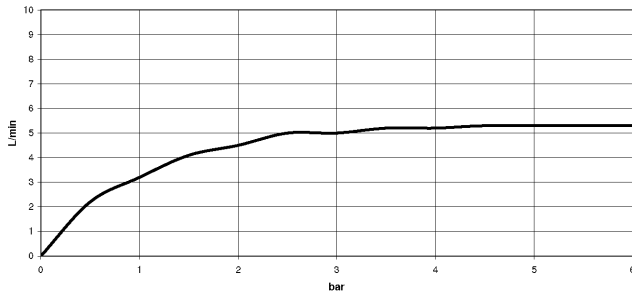
Only suitable for basins with an overflow.

| | | |
|---|-------------------------------|---------------|
|  | Brushed Bronze | 20 713 882-42 |
|  | Chrome | 20 713 882-00 |
|  | Brushed Platinum | 20 713 882-06 |
|  | Platinum | 20 713 882-08 |
|  | Dark Chrome | 20 713 882-19 |
|  | Brushed Durabrass (23kt Gold) | 20 713 882-28 |
|  | Matte Black | 20 713 882-33 |
|  | Brushed Champagne (22kt Gold) | 20 713 882-46 |
|  | Champagne (22kt Gold) | 20 713 882-47 |
|  | Brushed Chrome | 20 713 882-93 |
|  | Brushed Dark Platinum | 20 713 882-99 |

20 713 882 Product version from 6/25/2021



Flow rate chart



Codes & Standards

| | | | |
|---------------------------|--------------------------------|-----------------------------|------------|
| DIN 4109 | EN 200 | Executive Order no. 1007 | ISO 3822 |
| Scottish Water Byelaws | UK Water Supply Regulations | Ü-Zeichen | VA-Zeichen |



TARA Three-hole basin mixer with pop-up waste - Brushed Bronze

TARA

20 713 882 Product version from 6/25/2021

Certificates

LGA_18

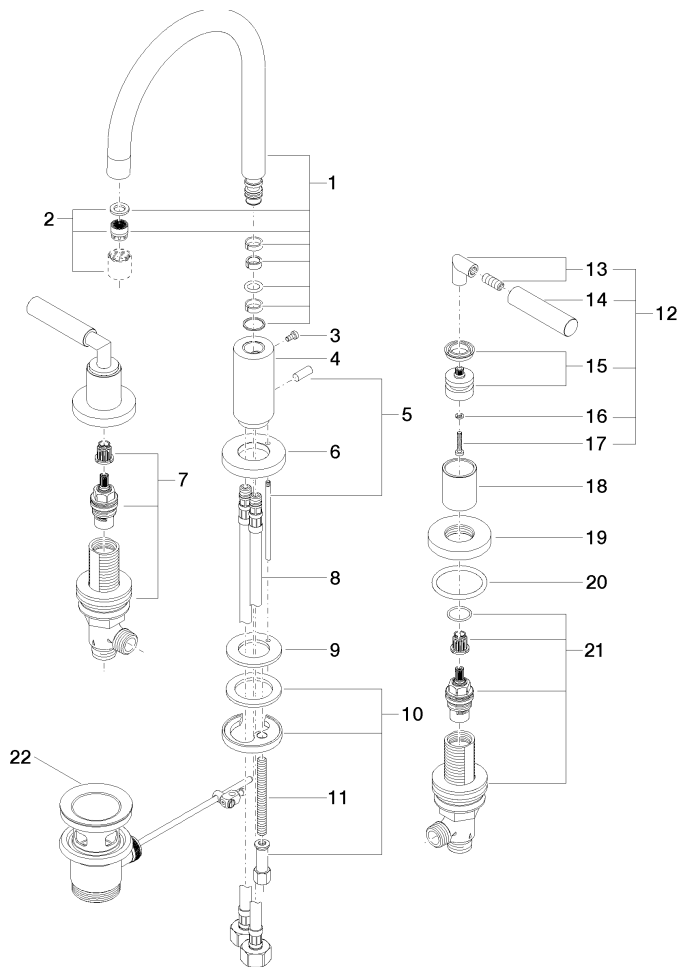
ETA_18

WRAS_2212

GDV_0400

20 713 882 Product version from 6/25/2021

Parts for other finishes can be found here: [Chrome](#)



Spare parts list

| No. | Item Number | Name | Quantity used | Delivery time |
|--|--------------------|--------------|---------------|---------------|
| 1 | 90 28 22 213 01-42 | spout | 1 | 30 |
| 2 | 90 23 01 028 03-42 | aerator | 1 | 30 |
| 3 | 09 30 30 057 90 | screw | 1 | 2 |
| 4 | 09 11 10 087 10-42 | connection | 1 | 60 |
| 5 | 04 20 89 030 80-42 | pull-rod | 1 | 60 |
| 6 | 09 28 10 133-42 | ring | 1 | 60 |
| 7 | 90 17 11 040 51 90 | side panel | 1 | 2 |
| 8 | 04 30 04 019 00 90 | hose | 2 | 2 |
| 9 | 09 14 05 047 90 | seal | 1 | 2 |
| 10 | 04 30 11 038 00 90 | fixing set | 1 | 2 |
| 11 | 09 31 11 011 90 | pin | 1 | 2 |
| 12 | 04 20 88 052 00-42 | handle | 2 | - |
| Spare part can no longer be ordered, please order the replacement item | | | | |
| 13 | 04 18 20 022 00-42 | angle | 2 | - |
| Spare part can no longer be ordered, please order the replacement item | | | | |
| 14 | 09 20 88 052-42 | handle | 2 | 60 |
| 15 | 90 12 12 007 00-42 | base | 2 | 30 |
| 16 | 90 30 11 029 00 90 | disc | 2 | 2 |
| 17 | 90 30 30 075 00 90 | screw | 2 | 2 |
| 18 | 09 21 02 140-42 | sleeve | 2 | 60 |
| 19 | 09 27 89 105-42 | rosette | 2 | 60 |
| 20 | 90 14 10 043 00 90 | seal | 2 | 2 |
| 21 | 90 17 11 040 50 90 | side panel | 1 | 2 |
| 22 | 90 11 01 001 00-42 | pop-up waste | 1 | 30 |