

22 533 892 Product version from 6/30/2009 to 5/27/2021

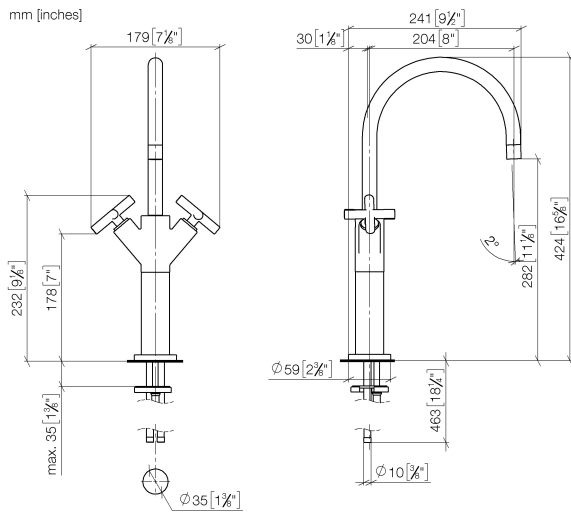


- 200mm projection
- pivotable spout 360°
- circular, air-enriched flow
- height of mixer 425 mm
- height up to aerator 280 mm
- hole diameter 35 mm
- rosette Ø 59 mm
- 2x screw-in M 10 x 1 pressure hose, leak-tested
- max. flow 7 l/min
- lead-free
- This product can help a building meet the requirements of Green Building Rating Systems, e.g. LEED®, BREEAM®, DGNB
- WRAS

for use on countertop bowls

	Chrome	22 533 892-00
	Brushed Platinum	22 533 892-06
	Platinum	22 533 892-08
	Dark Chrome	22 533 892-19
	Brushed Durabronze (23kt Gold)	22 533 892-28
	Matte Black	22 533 892-33
	Brushed Bronze	22 533 892-42
	Brushed Champagne (22kt Gold)	22 533 892-46
	Champagne (22kt Gold)	22 533 892-47
	Brushed Chrome	22 533 892-93
	Brushed Dark Platinum	22 533 892-99

22 533 892 Product version from 6/30/2009 to 5/27/2021



Flow rate chart



Codes & Standards

DIN 4109	EN 200	Executive Order no. 1007	ISO 3822
Scottish Water Byelaws	UK Water Supply Regulations	Ü-Zeichen	VA-Zeichen



TARA Single-hole basin mixer with raised base without pop-up waste - Chrome

TARA

22 533 892 Product version from 6/30/2009 to 5/27/2021

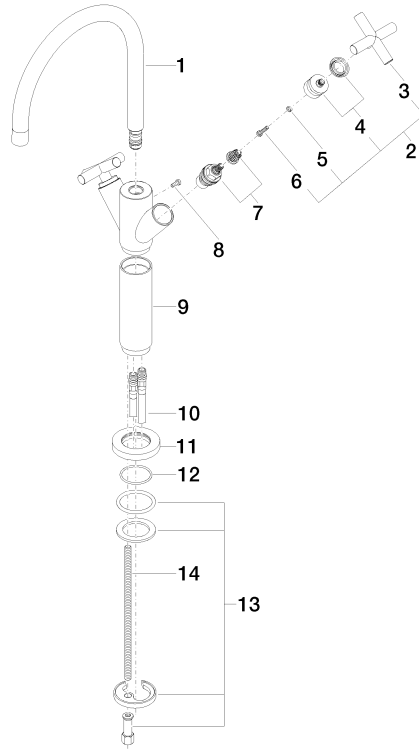
Certificates and sustainability

ETA_18

LGA_18

GDV_0400

WRAS_240702



Spare parts list

No.	Item Number	Name	Quantity used	Delivery time
	13 04 30 11 038 00 90	fixing set	1.00	2
	10 04 30 04 105 00 90	hose	2.00	2
	14 09 31 11 000 90	pin	1.00	2
	3 09 20 89 010-00	handle	2.00	60
	12 09 14 10 134 90	seal	1.00	2
	4 90 12 12 007 00-00	base	2.00	10
	9 09 18 40 063-00	sleeve	1.00	10
	7 90 90 03 151 00 90	top	2.00	2
	8 09 30 30 054 90	screw	1.00	2
	1 90 28 22 214 01-00	spout	1.00	10
	11 09 28 10 132-00	ring	1.00	10
	5 90 30 11 029 00 90	disc	2.00	2
	6 90 30 30 075 00 90	screw	2.00	2
	2 90 20 89 010 10-00	handle	2.00	10