

TARA Single-hole basin mixer with stand pipe without pop-up waste - Brushed Bronze

TARA

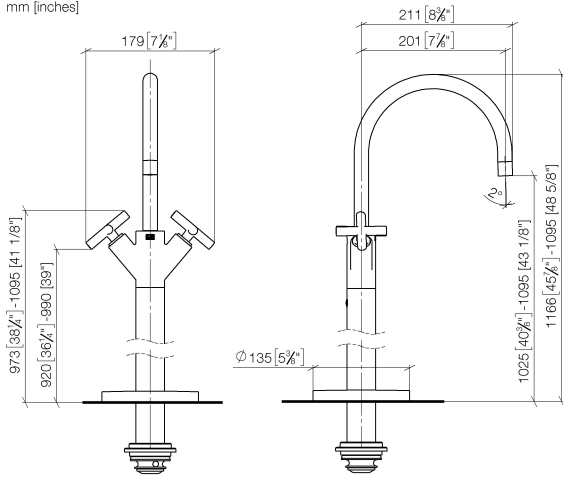
22 585 892



- 201mm projection
- pivotable spout 360°
- circular, air-enriched flow
- total height 1095 - 1166 mm
- height up to aerator 1025 – 1095 mm
- rosette Ø 135 mm
- max. flow 5.7 l/min
- lead-free
- This product can help a building meet the requirements of Green Building Rating Systems, e.g. LEED®, BREEAM®, DGNB
- WRAS 2304008

	Brushed Bronze	22 585 892-42
	Chrome	22 585 892-00
	Brushed Platinum	22 585 892-06
	Platinum	22 585 892-08
	Dark Chrome	22 585 892-19
	Brushed Durabronze (23kt Gold)	22 585 892-28
	Matte Black	22 585 892-33
	Brushed Champagne (22kt Gold)	22 585 892-46
	Champagne (22kt Gold)	22 585 892-47
	Brushed Chrome	22 585 892-93
	Brushed Dark Platinum	22 585 892-99

22 585 892
mm [inches]



Flow rate chart



Codes & Standards

DIN 4109

ISO 3822

Scottish Water
Byelaws

UK Water Supply
Regulations

Ü-Zeichen



TARA Single-hole basin mixer with stand pipe without pop-up waste - Brushed
Bronze

TARA

22 585 892
Certificates

LGA_38

WRAS_2304



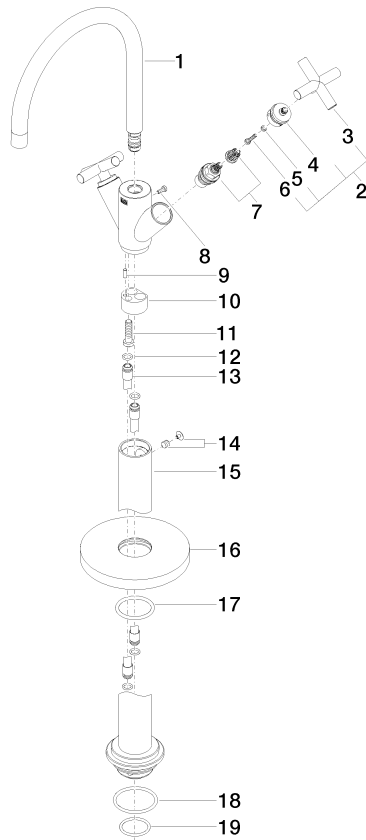
TARA Single-hole basin mixer with stand pipe without pop-up waste - Brushed Bronze

TARA

22 585 892

Product version from 4/1/2024

Parts for other finishes can be found here: [Chrome](#)





TARA Single-hole basin mixer with stand pipe without pop-up waste - Brushed Bronze

TARA

22 585 892

Spare parts list

Product version from 4/1/2024

No.	Item Number	Name	Quantity used	Delivery time
	90 28 22 214 02-42	spout	29	30