

TARA Single-hole bidet mixer with pop-up waste - Brushed Champagne (22kt Gold)

TARA

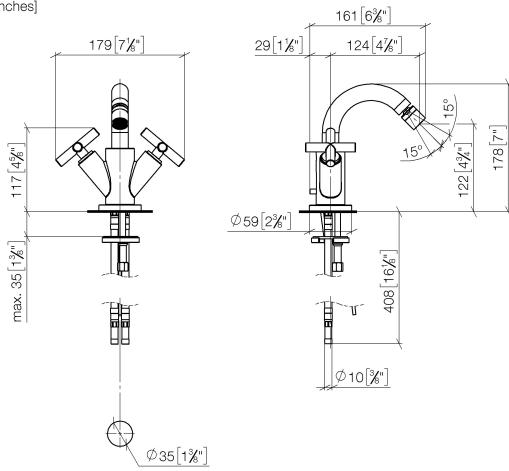
24 510 892 Product version from 5/27/2021



- 124mm projection
- ball-joint pivotable through 15° (in any direction)
- circular, air-enriched flow
- height of mixer 180 mm
- height up to aerator 123 mm
- hole diameter 35 mm
- rosette Ø 59 mm
- 2x screw-in M 10 x 1 pressure hose, leak-tested
- max. flow 7 l/min

	Brushed Champagne (22kt Gold)	24 510 892-46
	Chrome	24 510 892-00
	Brushed Platinum	24 510 892-06
	Platinum	24 510 892-08
	Dark Chrome	24 510 892-19
	Brushed Durabrass (23kt Gold)	24 510 892-28
	Matte Black	24 510 892-33
	Brushed Bronze	24 510 892-42
	Champagne (22kt Gold)	24 510 892-47
	Brushed Chrome	24 510 892-93
	Brushed Dark Platinum	24 510 892-99

24 510 892 Product version from 5/27/2021
mm [inches]



Flow rate chart



Codes & Standards

DIN 4109

ISO 3822

Ü-Zeichen



TARA Single-hole bidet mixer with pop-up waste - Brushed Champagne (22kt Gold)

TARA

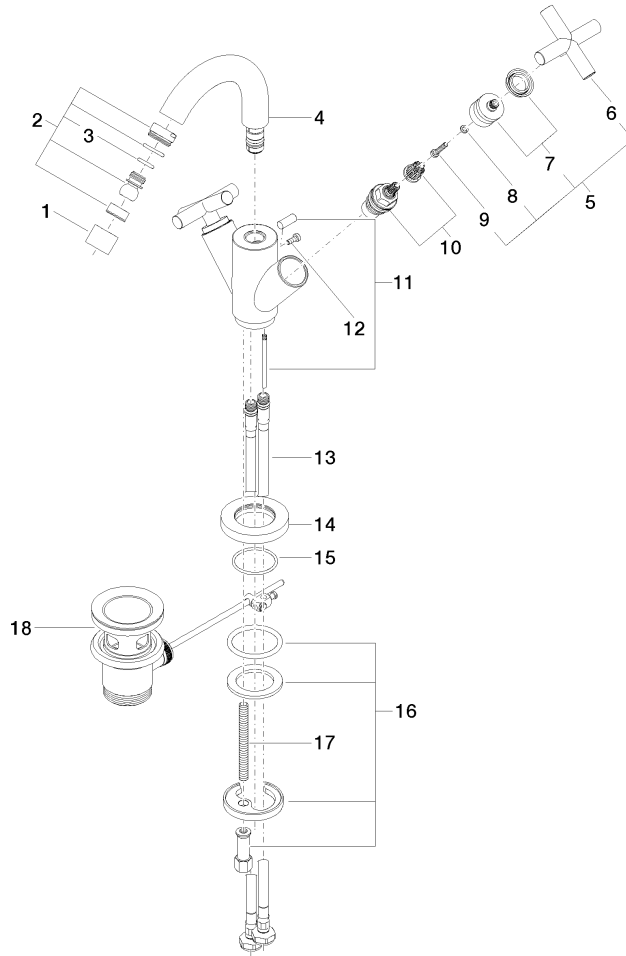
24 510 892 Product version from 5/27/2021

Certificates

LGA_38

24 510 892 Product version from 5/27/2021

Parts for other finishes can be found here: [Chrome](#)



Spare parts list

No.	Item Number	Name	Quantity used	Delivery time
1	90 23 01 004 05-46	aerator	1	30
2	04 21 40 007 00-46	joint	1	30
3	90 14 10 011 00 90	seal	1	2
4	90 28 22 216 00-46	spout	1	30
5	90 20 89 010 10-46	handle	2	30
6	09 20 89 010-46	handle	2	60
7	90 12 12 007 00-46	base	2	30
8	90 30 11 029 00 90	disc	2	2
9	90 30 30 075 00 90	screw	2	2
10	90 90 03 151 00 90	top	2	2
11	04 20 89 035 80-46	pull-rod	1	30
12	09 30 30 054 90	screw	1	2
13	04 30 04 104 00 90	hose	2	2
14	09 28 10 132-46	ring	1	30
15	09 14 10 134 90	seal	1	2
16	04 30 11 038 00 90	fixing set	1	2
17	09 31 11 011 90	pin	1	2
18	90 11 01 001 00-46	pop-up waste	1	30