

**VAIA Two-hole bath mixer for free-standing assembly with hand shower set -
Platinum**

VAIA

25 943 809



- spout: circular, air-enriched flow
 - max. flow 24.6 l/min at 3 bar flow pressure
 - Hand shower: COMPACT RAIN, max. flow rate 6.8 l/min (at 3 bar)
 - hand shower with anti-scale system
 - 221mm projection
 - pivotable spout 360°
 - rotary diverter for bath/shower
 - total height 920 mm
 - stand pipes height 628 mm
 - height up to aerator 816 mm
 - slide-on rosettes Ø 100 mm
 - gauge 150 mm
 - metal shower hose 1250mm with integrated anti-twist protection
 - pivotable shower holder on the right foot
- Intrinsic protection against back flow.**

Intrinsic protection against back flow.

| | | |
|---|--------------------------------|---------------|
|  | Platinum | 25 943 809-08 |
|  | Chrome | 25 943 809-00 |
|  | Brushed Platinum | 25 943 809-06 |
|  | Dark Chrome | 25 943 809-19 |
|  | Brushed Durabronze (23kt Gold) | 25 943 809-28 |
|  | Brushed Bronze | 25 943 809-42 |
|  | Brushed Champagne (22kt Gold) | 25 943 809-46 |
|  | Champagne (22kt Gold) | 25 943 809-47 |
|  | Brushed Dark Platinum | 25 943 809-99 |

Required miscellaneous



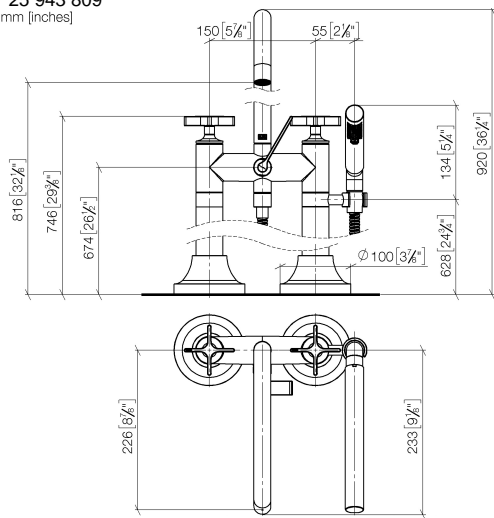
- Concealed floor mounting -**
- max. recess depth 160 mm
 - min. recess depth 80 mm

35 944 970 90

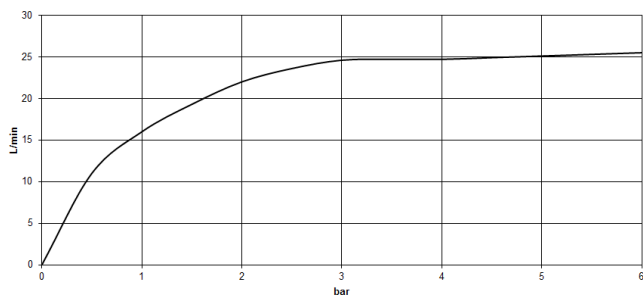
**VAIA Two-hole bath mixer for free-standing assembly with hand shower set -
Platinum**

VAIA

25 943 809
mm [inches]



Flow rate chart



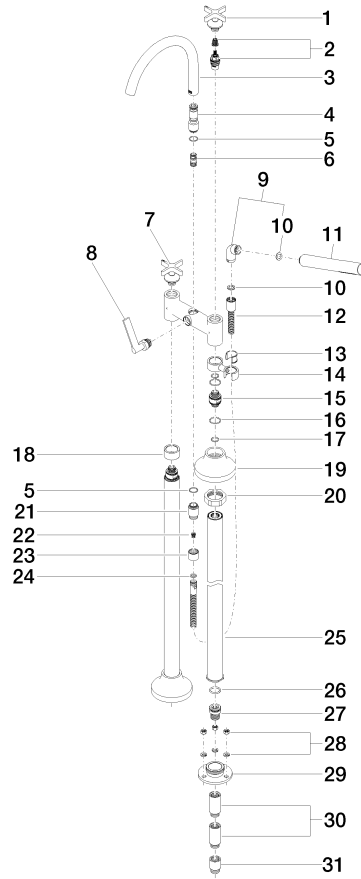
Certificates

Belgauqa_22_276_2 LGA_29294.
7_2.

IAPMO_4976 (2).

WRAS_1802014.

25 943 809





VAIA Two-hole bath mixer for free-standing assembly with hand shower set - Platinum

VAIA

25 943 809

Spare parts list

| No. | Item Number | Name | Quantity used | Delivery time |
|-----|--------------------|--|---------------|---------------|
| 1 | 90 20 80 010 01-08 | handle (cold) | 1 | 40 |
| 2 | 90 90 03 131 00 90 | top | 1 | 2 |
| 3 | 90 28 22 317 00-08 | spout | 1 | 40 |
| 4 | 09 24 03 273-08 | nipple | 1 | 40 |
| 5 | 90 14 10 032 00 90 | seal | 1 | 2 |
| 6 | 90 21 10 011 00 90 | diverter | 1 | 2 |
| 7 | 90 20 80 011 01-08 | handle (hot) | 1 | 40 |
| 8 | 90 20 80 015 02-08 | handle | 1 | 40 |
| 9 | 04 24 04 189 00-08 | nipple | 1 | 40 |
| 10 | 90 14 20 002 00 90 | seal | 1 | 2 |
| 11 | 28 019 979-08 | Hand shower - Platinum | 1 | 40 |
| 12 | 90 30 02 072 00-08 | Metal shower hose 1/2" x 3/8" x 1250 mm - Platinum | 1 | 40 |
| 13 | 90 18 40 035 00 90 | sleeve | 1 | 2 |
| 14 | 04 28 10 029 01-08 | holder | 1 | 40 |
| 15 | 09 29 05 021 20 90 | nipple | 2 | 2 |
| 16 | 09 14 10 112 90 | seal | 4 | 2 |
| 17 | 90 14 10 055 00 90 | seal | 4 | 2 |
| 18 | 09 28 10 028-08 | sleeve | 1 | 40 |
| 19 | 90 27 80 019 00-08 | rosette | 2 | 40 |
| 20 | 09 23 30 040-07 | nut | 2 | 30 |
| 21 | 09 24 03 121-08 | nipple | 1 | 40 |
| 22 | 09 23 01 131 90 | back-flow preventer | 1 | 2 |
| 23 | 09 21 02 143-08 | sleeve | 1 | 40 |
| 24 | 90 14 20 026 00 90 | seal | 1 | 2 |
| 25 | 04 28 22 009 20-08 | connection | 2 | 40 |
| 26 | 09 14 10 081 90 | seal | 2 | 2 |
| 27 | 09 24 03 094-07 | nipple | 2 | 30 |
| 28 | 04 23 10 023 00 90 | fixing set | 6 | 2 |
| 29 | 09 30 11 130-07 | connection | 2 | 30 |
| 30 | 09 24 03 081 10 90 | extension | 4 | 2 |
| 31 | 09 24 03 080 90 | extension | 2 | 2 |