

**VAIA Two-hole bath mixer for free-standing assembly with hand shower set -  
Brushed Bronze**

VAIA

25 943 809



- spout: circular, air-enriched flow
- max. flow 24.6 l/min at 3 bar flow pressure
- Hand shower: COMPACT RAIN, max. flow rate 6.8 l/min (at 3 bar)
- hand shower with anti-scale system
- 221mm projection
- pivotable spout 360°
- rotary diverter for bath/shower
- total height 920 mm
- stand pipes height 628 mm
- height up to aerator 816 mm
- slide-on rosettes Ø 100 mm
- gauge 150 mm
- metal shower hose 1250mm with integrated anti-twist protection
- pivotable shower holder on the right foot
- WRAS 240502008, 1802014
- **Intrinsic protection against back flow.**

Intrinsic protection against back flow.

	Brushed Bronze	25 943 809-42
	Chrome	25 943 809-00
	Brushed Platinum	25 943 809-06
	Platinum	25 943 809-08
	Dark Chrome	25 943 809-19
	Brushed Durabronze (23kt Gold)	25 943 809-28
	Brushed Champagne (22kt Gold)	25 943 809-46
	Champagne (22kt Gold)	25 943 809-47
	Brushed Dark Platinum	25 943 809-99

**Required miscellaneous**



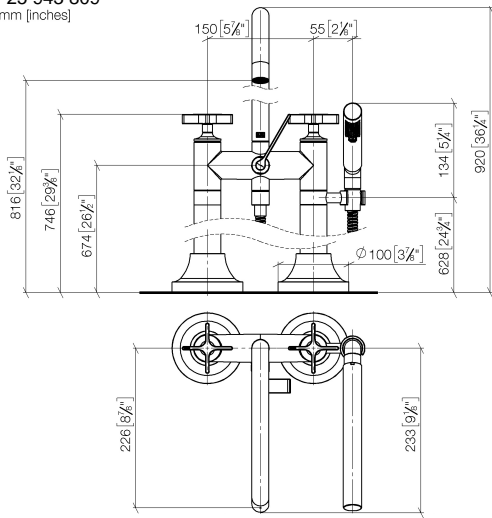
- Concealed floor mounting -**
- min. recess depth 80 mm
  - max. recess depth 160 mm

35 944 970 90

**VAIA Two-hole bath mixer for free-standing assembly with hand shower set -  
Brushed Bronze**

VAIA

25 943 809  
mm [inches]



**Flow rate chart**



**Certificates**

Belgauqa\_22\_276\_2 LGA\_29294.  
7\_2.

WRAS\_240502008.

25 943 809

