

**TARA Two-hole bath mixer for free-standing assembly with hand shower set -  
Platinum**

TARA

25 943 892



- 220mm projection
  - pivotable spout 180°
  - Hand shower: COMPACT RAIN, max. flow rate 6.8 l/min (at 3 bar)
  - spout: circular, air-enriched flow
  - hand shower with anti-scale system
  - rotary diverter for bath/shower
  - total height 920 mm
  - stand pipes height 628 mm
  - height up to aerator 765 mm
  - slide-on rosettes Ø 90 mm
  - gauge 150 mm
  - metal shower hose 1250mm with integrated anti-twist protection
  - pivotable shower holder on the right foot
  - max. flow 22 l/min at 3 bar flow pressure
  - WRAS 2212005
- Intrinsic protection against back flow.**

Intrinsic protection against back flow.

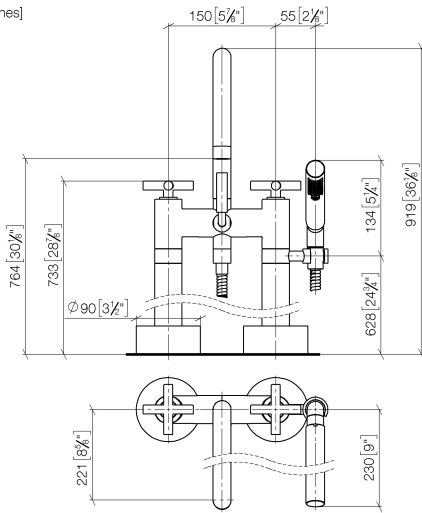
|  |                               |               |
|--|-------------------------------|---------------|
|   | Platinum                      | 25 943 892-08 |
|   | Chrome                        | 25 943 892-00 |
|   | Brushed Platinum              | 25 943 892-06 |
|   | Dark Chrome                   | 25 943 892-19 |
|   | Brushed Durabrass (23kt Gold) | 25 943 892-28 |
|   | Matte Black                   | 25 943 892-33 |
|   | Brushed Champagne (22kt Gold) | 25 943 892-46 |
|   | Champagne (22kt Gold)         | 25 943 892-47 |
|   | Brushed Chrome                | 25 943 892-93 |
|  | Brushed Dark Platinum         | 25 943 892-99 |

**Required miscellaneous**



- Concealed floor mounting -** 35 944 970 90
- max. recess depth 160 mm
  - min. recess depth 80 mm

25 943 892  
mm [inches]



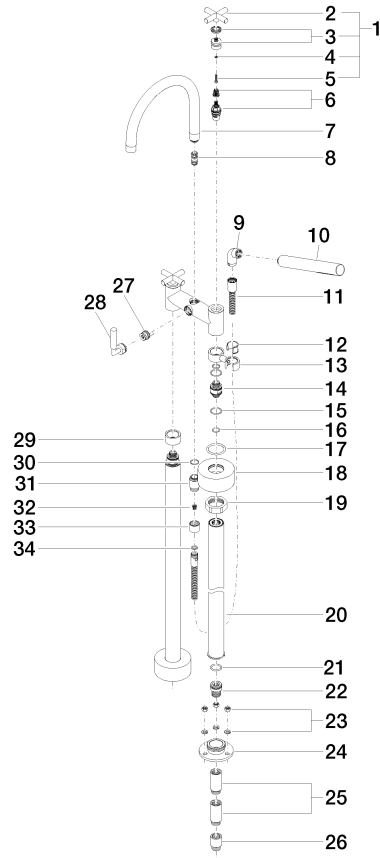
Flow rate chart



Certificates

IAPMO\_4976 (5).    WRAS\_2212005.    LGA\_18932.    Belgaqua\_21-033-27\_2.

25 943 892





## TARA Two-hole bath mixer for free-standing assembly with hand shower set - Platinum

TARA

25 943 892

### Spare parts list

| No. | Item Number        | Name   | Quantity used | Delivery time |
|-----|--------------------|--|---------------|---------------|
| 1   | 90 20 89 010 10-08 | handle   | 2             | 40            |
| 2   | 09 20 89 010-08    | handle   | 2             | 60            |
| 3   | 90 12 12 007 00-08 | base   | 2             | 40            |
| 4   | 90 30 11 029 00 90 | disc   | 2             | 2             |
| 5   | 90 30 30 075 00 90 | screw  | 2             | 2             |
| 6   | 90 90 03 131 00 90 | top  | 2             | 2             |
| 7   | 90 28 22 222 00-08 | spout  | 1             | 40            |
| 8   | 90 21 10 011 00 90 | diverter   | 1             | 2             |
| 9   | 04 24 04 189 00-08 | nipple   | 1             | 40            |
| 10  | 90 12 11 140 30-08 | shower   | 1             | 40            |
| 11  | 90 30 02 072 00-08 | Metal shower hose 1/2" x 3/8" x 1250 mm - Platinum | 1             | 40            |
| 12  | 90 18 40 035 00 90 | sleeve   | 1             | 2             |
| 13  | 04 28 10 029 01-08 | holder   | 1             | 40            |
| 14  | 09 29 05 021 20 90 | nipple   | 2             | 2             |
| 15  | 09 14 10 112 90    | seal   | 4             | 2             |
| 16  | 90 14 10 055 00 90 | seal   | 4             | 2             |
| 17  | 09 14 10 041 90    | seal   | 2             | 2             |
| 18  | 09 27 89 025-08    | rosette  | 2             | 40            |
| 19  | 09 23 30 040-07    | nut  | 2             | 30            |
| 20  | 04 28 22 009 20-08 | connection   | 2             | 40            |
| 21  | 09 14 10 081 90    | seal   | 2             | 2             |
| 22  | 09 24 03 094-07    | nipple   | 2             | 30            |
| 23  | 04 23 10 023 00 90 | fixing set   | 6             | 2             |
| 24  | 09 30 11 130-07    | connection   | 2             | 30            |
| 25  | 09 24 03 081 10 90 | extension  | 4             | 2             |
| 26  | 09 24 03 080 90    | extension  | 2             | 2             |
| 27  | 90 15 01 005 00 90 | insert   | 1             | 2             |
| 28  | 90 18 20 025 00-08 | diverter   | 1             | 40            |
| 29  | 09 28 10 028-08    | sleeve   | 1             | 40            |
| 30  | 90 14 10 032 00 90 | seal   | 1             | 2             |
| 31  | 09 24 03 121-08    | nipple   | 1             | 40            |
| 32  | 09 23 01 131 90    | back-flow preventer                                | 1             | 2             |
| 33  | 09 21 02 143-08    | sleeve   | 1             | 40            |
| 34  | 90 14 20 026 00 90 | seal   | 1             | 2             |