

26 413 625



Fits: TARA, META

- slide bar
- Pipe diameter 18 mm
- rosette Ø 55 mm
- gauge 800 mm
- metal shower hose 1750mm with integrated anti-twist protection
- shower hose connector 3/8"
- WRAS 2009048

This article does not include a hand shower!

|  |                               |               |
|--|-------------------------------|---------------|
|  | Matte Black                   | 26 413 625-33 |
|  | Chrome                        | 26 413 625-00 |
|  | Brushed Platinum              | 26 413 625-06 |
|  | Platinum                      | 26 413 625-08 |
|  | Dark Chrome                   | 26 413 625-19 |
|  | Light Gold                    | 26 413 625-26 |
|  | Brushed Light Gold            | 26 413 625-27 |
|  | Brushed Durabrass (23kt Gold) | 26 413 625-28 |
|  | Brushed Bronze                | 26 413 625-42 |
|  | Brushed Champagne (22kt Gold) | 26 413 625-46 |
|  | Champagne (22kt Gold)         | 26 413 625-47 |
|  | Brushed Chrome                | 26 413 625-93 |
|  | Brushed Dark Platinum         | 26 413 625-99 |

### Recommended miscellaneous

|  |  |               |
|--|--|---------------|
|  | <b>Concealed wall elbow -</b><br>•max. recess depth 163 mm<br>•min. recess depth 90 mm | 35 085 970 90 |
|--|--|---------------|

### Required miscellaneous

|  |   |                    |
|--|---|--------------------|
|  | <b>Hand shower FlowReduce - Matte Black</b> | 28 012 979-33 0010 |
|--|---|--------------------|

### Required miscellaneous

|  |                                  |               |
|--|----------------------------------|---------------|
|  | <b>Hand shower - Matte Black</b> | 28 016 979-33 |
|--|----------------------------------|---------------|

### Required miscellaneous

|  |   |                    |
|--|---|--------------------|
|  | <b>Hand shower FlowReduce - Matte Black</b> | 28 016 979-33 0010 |
|--|---|--------------------|

### Required miscellaneous

|  |   |                    |
|--|---|--------------------|
|  | <b>Hand shower FlowReduce - Matte Black</b> | 28 018 979-33 0010 |
|--|---|--------------------|

### Recommended miscellaneous

|  |                                 |               |
|--|---------------------------------|---------------|
|  | <b>Wall elbow - Matte Black</b> | 28 450 625-33 |
|--|---------------------------------|---------------|

### Required miscellaneous

|  |                                  |               |
|--|----------------------------------|---------------|
|  | <b>Hand shower - Matte Black</b> | 28 017 979-33 |
|--|----------------------------------|---------------|

### Required miscellaneous

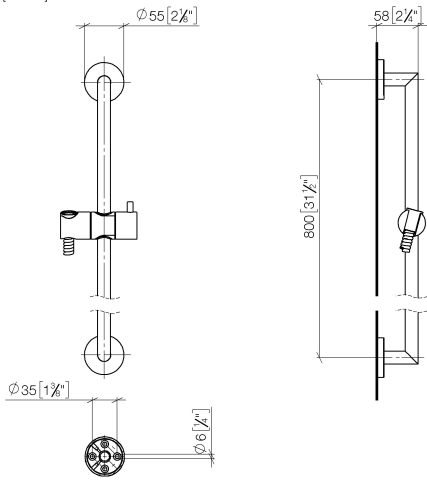
|  |                                  |               |
|--|----------------------------------|---------------|
|  | <b>Hand shower - Matte Black</b> | 28 012 979-33 |
|--|----------------------------------|---------------|

### Required miscellaneous

|  |                                  |               |
|--|----------------------------------|---------------|
|  | <b>Hand shower - Matte Black</b> | 28 018 979-33 |
|--|----------------------------------|---------------|

26 413 625

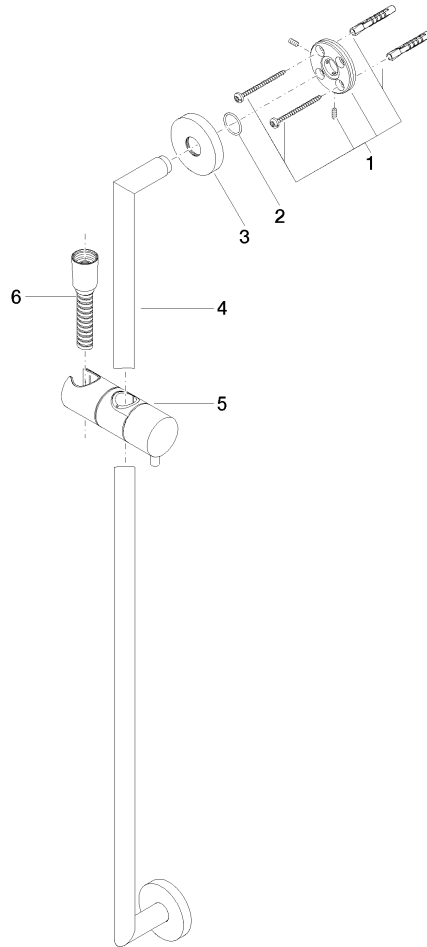
mm [inches]



Certificates

WRAS\_2009048. ACS\_20 ACC LY 738. IAPMO\_4976 (4).

26 413 625



Spare parts list

| No. | Item Number        | Name  | Quantity used | Delivery time |
|-----|--------------------|---|---------------|---------------|
| 1   | 05 17 62 500 00 90 | fixing set  | 2             | 2             |
| 2   | 90 14 10 032 00 90 | seal  | 2             | 2             |
| 3   | 08 27 62 500-33    | rosette   | 2             | 30            |
| 4   | 05 28 22 590 01-33 | bar   | 1             | 30            |
| 5   | 12 580 970-33      | Slide unit - Matte Black                              | 1             | 10            |
| 6   | 28 322 970-33      | Metal shower hose 1/2" x 3/8" x 1750 mm - Matte Black | 1             | 2             |