

26 413 892



- slide bar
- Pipe diameter 18 mm
- rosettes Ø 55 mm
- gauge 800 mm
- metal shower hose 1750mm with integrated anti-twist protection
- shower hose connector 3/8"

This article does not include a hand shower!

	Chrome	26 413 892-00
	Brushed Platinum	26 413 892-06
	Platinum	26 413 892-08
	Dark Chrome	26 413 892-19
	Brushed Durabrass (23kt Gold)	26 413 892-28
	Matte Black	26 413 892-33
	Brushed Champagne (22kt Gold)	26 413 892-46
	Champagne (22kt Gold)	26 413 892-47
	Brushed Chrome	26 413 892-93
	Brushed Dark Platinum	26 413 892-99

Recommended miscellaneous

	Concealed wall elbow - •max. recess depth 163 mm •min. recess depth 90 mm	35 085 970 90
--	--	---------------

Required miscellaneous

	Hand shower FlowReduce - Chrome	28 016 979-00 0010
--	--	--------------------

Required miscellaneous

	Hand shower - Chrome	28 017 979-00
--	-----------------------------	---------------

Required miscellaneous

	Hand shower - Chrome	28 012 979-00
--	-----------------------------	---------------

Required miscellaneous

	Hand shower FlowReduce - Chrome	28 018 979-00 0010
--	--	--------------------

Recommended miscellaneous

	Wall elbow - Chrome	28 450 625-00
--	----------------------------	---------------

Required miscellaneous

	Hand shower FlowReduce - Chrome	28 012 979-00 0010
--	--	--------------------

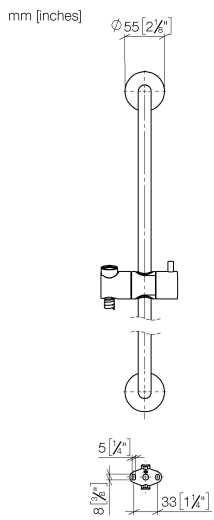
Required miscellaneous

	Hand shower - Chrome	28 016 979-00
--	-----------------------------	---------------

Required miscellaneous

	Hand shower - Chrome	28 018 979-00
--	-----------------------------	---------------

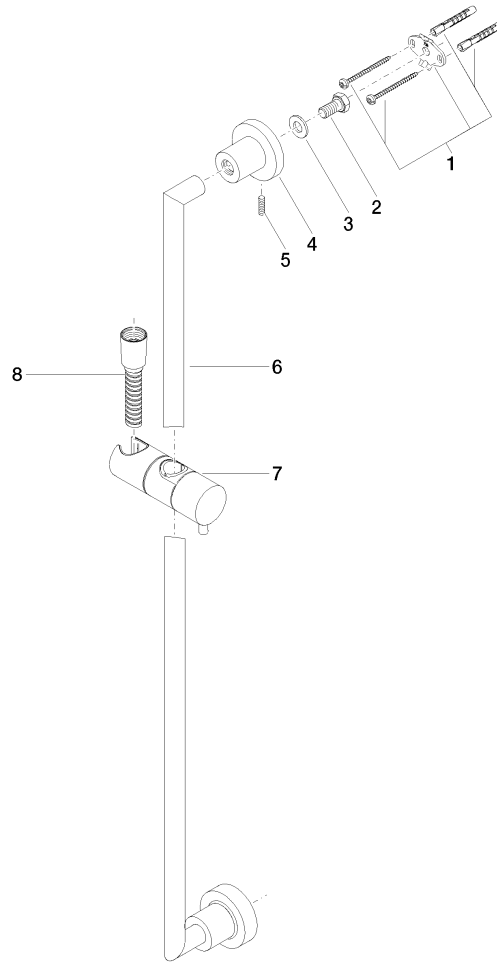
26 413 892



Certificates

WRAS_2009048. ACS_20 ACC LY 738. IAPMO_4976 (1).

26 413 892



Spare parts list

No.	Item Number	Name	Quantity used	Delivery time
1	05 17 20 739 00 90	fixing set	2	2
2	09 30 30 071 90	screw	2	2
3	09 30 11 046 90	disc	2	2
4	08 17 89 505-00	holder	2	10
5	04 31 11 113 00 90	pin	2	2
6	05 28 22 590 00-00	bar	1	10
7	12 580 970-00	Slide unit - Chrome	1	10
8	28 322 970-00	Metal shower hose 1/2" x 3/8" x 1750 mm - Chrome	1	2