



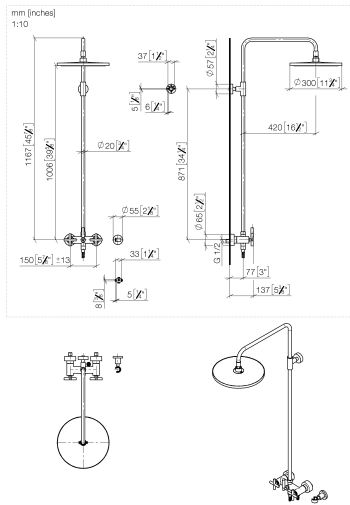
- shower with fixed riser projection 420mm
- overhead shower: rain flow
- rain shower Ø 300 mm
- rain shower with anti-scale system
- max. rainshower flow 14 l/min
- Function from: 10 l/min
- rotary diverter for fixed-riser shower/hand shower
- height of fittings up to rain shower (bottom edge) 1007mm
- height of fittings up to top edge of elbow 1167mm
- rosette for shower holder Ø 55mm
- rosette for wall mounting Ø 57mm
- rosette for shower mixer Ø 65mm
- gauge 150 mm - 13 mm
- 1500 mm metal shower hose
- 1/2" connection
- Pipe diameter 20 mm
- quick clearing

This article does not include a hand shower!

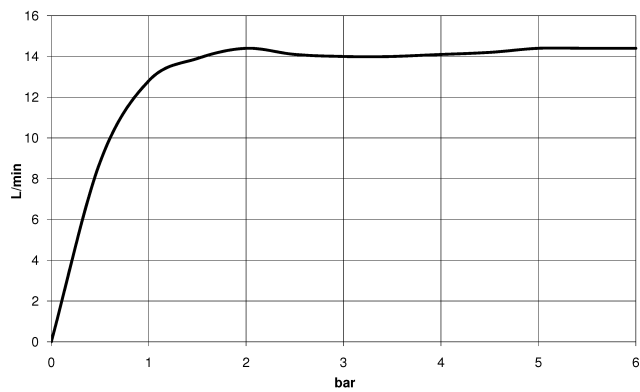
Intrinsic protection against back flow.

	Matte Black	26 623 892-33
	Chrome	26 623 892-00
	Brushed Platinum	26 623 892-06
	Platinum	26 623 892-08
	Dark Chrome	26 623 892-19
	Brushed Durabronze (23kt Gold)	26 623 892-28
	Brushed Bronze	26 623 892-42
	Brushed Champagne (22kt Gold)	26 623 892-46
	Champagne (22kt Gold)	26 623 892-47
	Brushed Chrome	26 623 892-93
	Brushed Dark Platinum	26 623 892-99

26 623 892 Product version from 4/1/2024



Flow rate chart



Codes & Standards

DIN 4109

EN 1717

ISO 3822

Ü-Zeichen



TARA Showerpipe without hand shower 300 mm - Matte Black

TARA

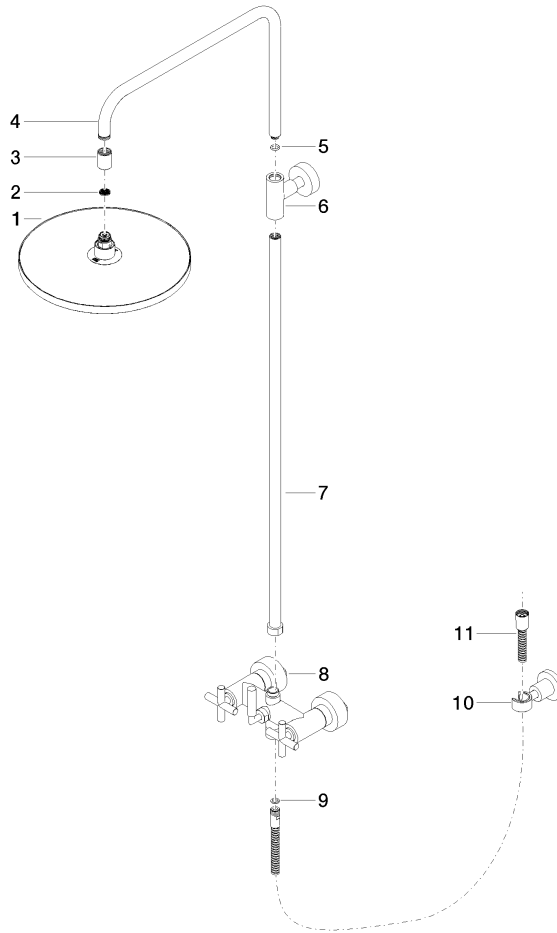
26 623 892 Product version from 4/1/2024

Certificates

Belgaqua_24-004-2 LGA_38

26 623 892 Product version from 4/1/2024

Parts for other finishes can be found here: [Chrome](#)



Spare parts list

No.	Item Number	Name	Quantity used	Delivery time
1	04 12 05 091 00-33	shower	1	30
2	09 23 01 039 90	sieve	1	2
3	09 24 03 177 20-33	adaptor	1	30
4	04 28 22 101 20-33	spout	1	30
5	90 14 10 011 00 90	seal	1	2
6	90 17 11 037 00-33	holder	1	-
Spare part can no longer be ordered, please order the replacement item				
7	90 28 22 096 00-33	pipe	1	30
8	04 17 10 020 01-33	fitting	1	30
9	90 14 20 026 00 90	seal	1	2
10	28 050 892-33	TARA Wall bracket - Matte Black	1	10
11	28 304 970-33	Metal shower hose 1/2" x 3/8" x 1500 mm - Matte Black	1	30