

MEM Three-hole single-lever bath mixer for bath rim or tile edge installation - Dark Chrome

MEM

27 412 782



- 220mm projection
- spout: rectangular normal flow
- max. flow 20.4 l/min at 3 bar flow pressure
- Hand shower: COMPACT RAIN, max. flow rate 6.8 l/min (at 3 bar)
- complete hand shower set with anti-scale system
- automatic bath/shower diverter
- height of mixer 300 mm
- height up to aerator 170 mm
- hole diameter spout 32 mm
- single-lever mixer hole diameter 35 mm
- hole diameter for complete hand shower set 32 mm
- rosette for mixer 60 x 60mm
- rosette for spout 60 x 60mm
- rosette for complete hand shower set 60 x 60mm
- metal shower hose 2250mm with integrated anti-twist protection

Intrinsic protection against back flow.

	Dark Chrome	27 412 782-19
	Chrome	27 412 782-00
	Brushed Platinum	27 412 782-06
	Platinum	27 412 782-08
	Brushed Durabronze (23kt Gold)	27 412 782-28
	Brushed Champagne (22kt Gold)	27 412 782-46
	Champagne (22kt Gold)	27 412 782-47
	Brushed Dark Platinum	27 412 782-99

Recommended miscellaneous



Perfecto installation kit - 12 614 970 90

Recommended miscellaneous

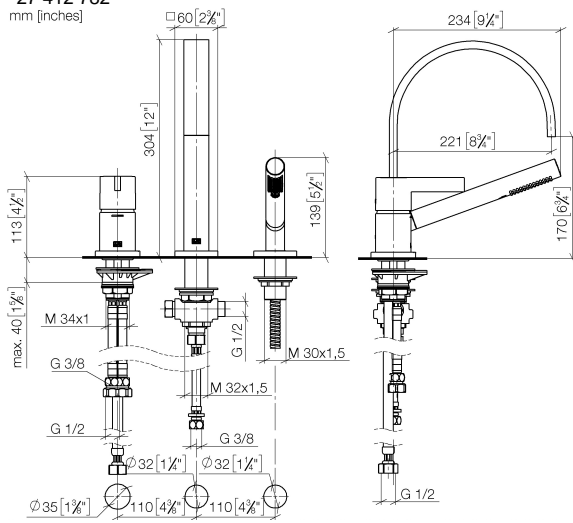


Decorative caps for Perfecto - Dark Chrome 12 801 970-19
 • 1 pair

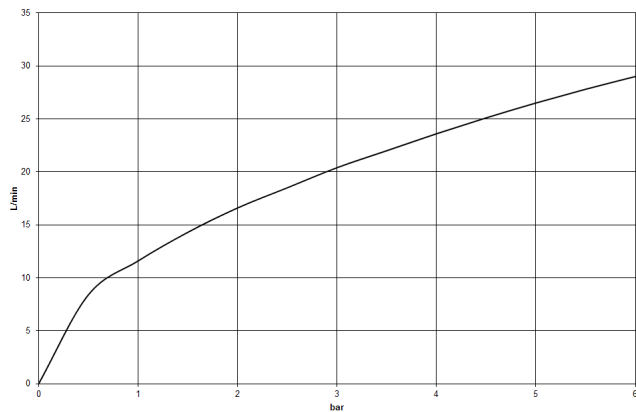
**MEM Three-hole single-lever bath mixer for bath rim or tile edge installation -
Dark Chrome**

MEM

27 412 782
mm [inches]



Flow rate chart



Certificates

Belgaqua_24-008-
27_4.

MEM Three-hole single-lever bath mixer for bath rim or tile edge installation -
Dark Chrome

MEM

27 412 782

