

27 632 661



- spout: circular, air-enriched flow
- max. flow 23.5 l/min at 3 bar flow pressure
- Hand shower: COMPACT RAIN, max. flow rate 6.8 l/min (at 3 bar)
- complete hand shower set with anti-scale system
- automatic bath/shower diverter
- 221mm projection
- height of mixer 319 mm
- height up to aerator 216 mm
- hole diameter spout 35 mm
- hole diameter single-lever mixer 35 mm
- hole diameter for complete hand shower set 32 mm
- rosette for spout Ø 60mm
- rosette for single-lever mixer Ø 55mm
- rosette for complete hand shower set Ø 60mm
- metal shower hose 1750mm with integrated anti-twist protection

Intrinsic protection against back flow.

	Brushed Platinum	27 632 661-06
	Chrome	27 632 661-00
	Dark Chrome	27 632 661-19
	Light Gold	27 632 661-26
	Brushed Light Gold	27 632 661-27
	Matte Black	27 632 661-33
	Brushed Bronze	27 632 661-42
	Brushed Champagne (22kt Gold)	27 632 661-46
	Champagne (22kt Gold)	27 632 661-47
	Brushed Chrome	27 632 661-93
	Brushed Dark Platinum	27 632 661-99

**Recommended miscellaneous**



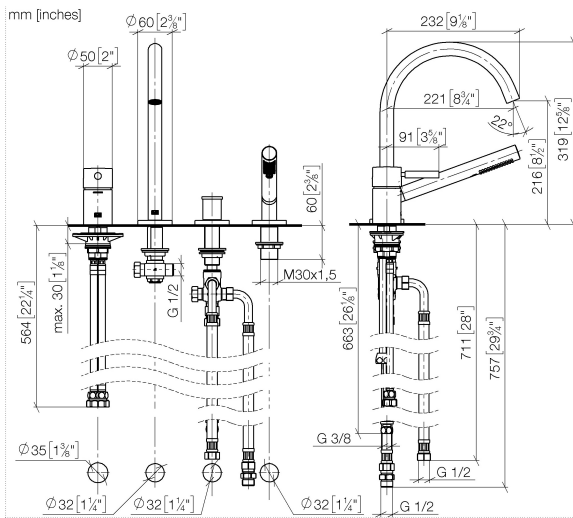
**Perfecto installation kit -** 12 614 970 90

**Recommended miscellaneous**

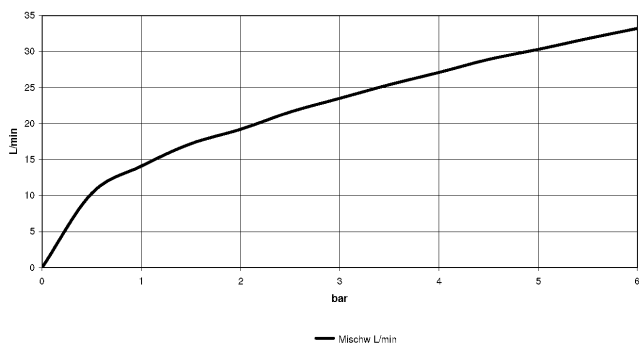


**Decorative caps for Perfecto - Brushed Platinum** 12 801 970-06  
 • 1 pair

27 632 661



**Flow rate chart**



**Certificates**

IAPMO\_4976 (5).    LGA\_38411.    WRAS\_2207041.    Belgaqua\_21-026-27\_4.

27 632 661



**Spare parts list**

No.	Item Number	Name	Quantity used	Delivery time
1	29 300 660-06	META Single-lever bath mixer for bath rim or tile edge installation - Brushed Platinum	1	10
2	13 512 661-06	spout	1	60
3	29 140 660-06	META Two-way diverter for bath rim or tile edge installation - Brushed Platinum	1	10
4	27 702 660-06	META Hand shower set for bath rim or tile edge installation - Brushed Platinum	1	10