

27 702 710 Product version up to 5/15/2020

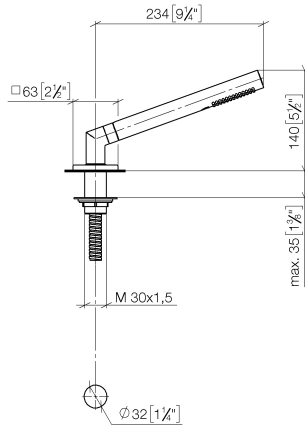


- normal flow
- with anti-scale system
- rosette 63 x 63 mm
- hole diameter 32 mm
- metal shower hose 1750mm with integrated anti-twist protection
- max. flow 6.8 l/min
- WRAS

Intrinsic protection against back flow.

27 702 710 Product version up to 5/15/2020

mm [inches]



Flow rate chart



Codes & Standards

ASME A112.18.1	cUPC	DIN 4109	EN 1717
ISO 3822	Scottish Water Byelaws	UK Water Supply Regulations	Ü-Zeichen



## LULU Hand shower set for bath rim or tile edge installation - Brushed Platinum

---

LULU

27 702 710 Product version up to 5/15/2020

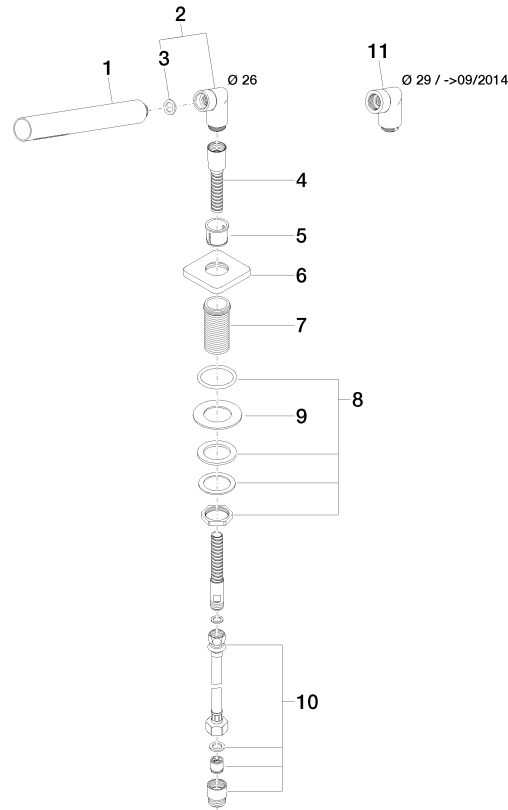
### Certificates and sustainability

---

LGA\_29

IAPMO\_4976

Belgaqua\_21-383-2 WRAS\_2209



### Spare parts list

No.	Item Number	Name	Quantity used	Delivery time
6	09 27 71 007-06	rosette	1.00	10
4	28 322 970-06	Metal shower hose 1/2" x 3/8" x 1750 mm - Brushed Platinum	1.00	2
7	09 30 01 090-07	sleeve	1.00	30
2	04 24 04 287 00-06	nipple	1.00	10
10	12 505 970 90	High pressure hose 1/2" x 3/8" x 500 mm -	1.00	2
8	04 23 10 032 46 90	fixing set	1.00	2
11	04 24 04 187 00-06	nipple	1.00	10
9	09 30 11 060 90	disc	1.00	2
3	90 14 20 002 00 90	seal	1.00	2
5	90 18 40 085 00 90	sleeve	1.00	2
1	90 12 11 140 41-06	shower	1.00	10