

27 702 980 Product version up to 5/15/2020



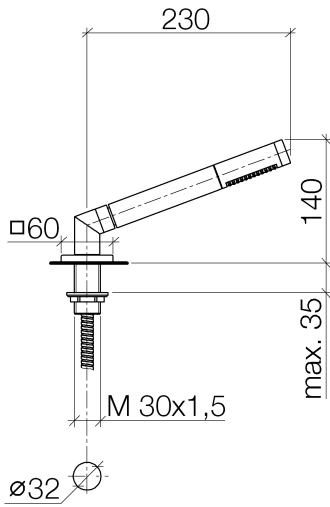
- COMPACT RAIN, max. flow rate 6.8 l/min (at 3 bar)
- with anti-scale system
- rosette 60 x 60 mm
- hole diameter 32 mm
- metal shower hose 1750mm with integrated anti-twist protection
- WRAS

Two-piece design allows hose to later be changed without dismantling the fitting.

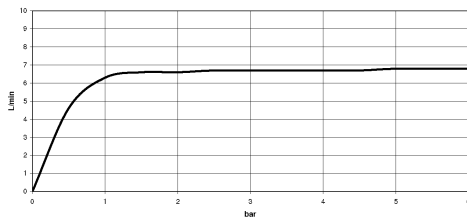
Intrinsic protection against back flow.

	Chrome	27 702 980-00
	Brushed Platinum	27 702 980-06
	Platinum	27 702 980-08
	Dark Chrome	27 702 980-19
	Brushed Light Gold	27 702 980-27
	Brushed Durabronze (23kt Gold)	27 702 980-28
	Matte Black	27 702 980-33
	Brushed Champagne (22kt Gold)	27 702 980-46
	Champagne (22kt Gold)	27 702 980-47
	Brushed Chrome	27 702 980-93
	Brushed Dark Platinum	27 702 980-99

27 702 980 Product version up to 5/15/2020



Flow rate chart



Codes & Standards

ASME A112.18.1	cUPC	DIN 4109	EN 1717
ISO 3822	Scottish Water Byelaws	UK Water Supply Regulations	Ü-Zeichen



Hand shower set for bath rim or tile edge installation - Chrome

SERIES SPECIFIC

27 702 980 Product version up to 5/15/2020

Certificates and sustainability

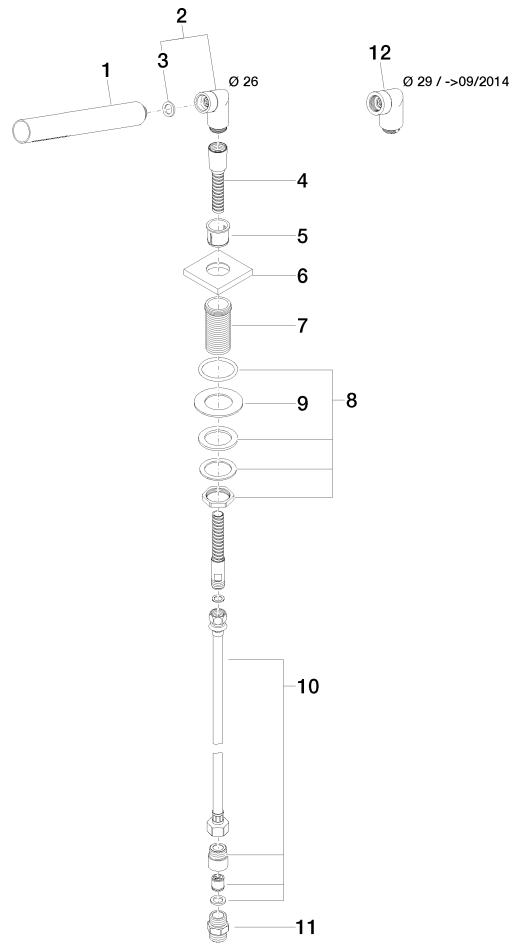
LGA_29

IAPMO_4976

Belgaqua_21-383-2 WRAS_2209

27 702 980 Product version up to 5/15/2020

Parts for other finishes can be found here: Brushed Platinum



Spare parts list

No.	Item Number	Name	Quantity used	Delivery time
8	04 23 10 032 46 90	fixing set	1.00	2
10	12 505 970 90	High pressure hose 1/2" x 3/8" x 500 mm -	1.00	2
6	09 27 68 003-00	rosette	1.00	10
2	04 24 04 287 00-00	nipple	1.00	10
9	09 30 11 060 90	disc	1.00	2
4	28 322 970-00	Metal shower hose 1/2" x 3/8" x 1750 mm - Chrome	1.00	2
12	04 24 04 187 00-00	nipple	1.00	10
7	09 30 01 090-07	sleeve	1.00	30
3	90 14 20 002 00 90	seal	1.00	2
5	90 18 40 085 00 90	sleeve	1.00	2
11	90 24 03 168 00 90	nipple	1.00	2
1	90 12 11 140 41-00	shower	1.00	10