

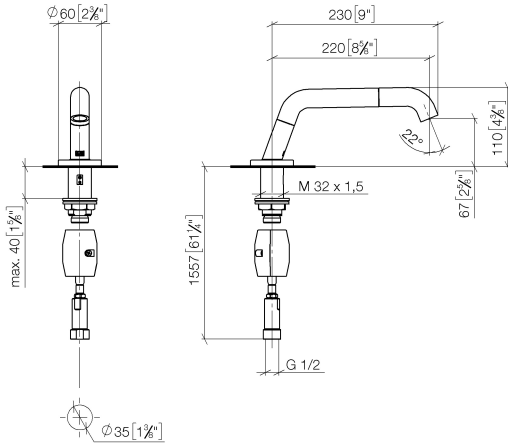
27 728 971 Product version from 3/11/2013



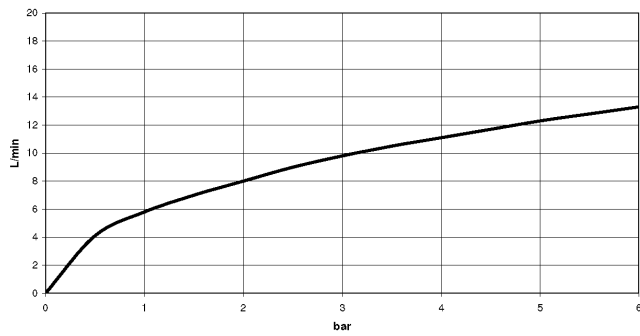
- 220mm projection
- pivotable spout 160°
- laminar flow
- height of mixer 110 mm
- height up to water outlet point 67 mm
- hole diameter 35 mm
- rosette Ø 60 mm
- max. flow 9.5 l/min at 3 bar flow pressure
- lead-free

27 728 971 Product version from 3/11/2013

mm [inches]



Flow rate chart



Codes & Standards

DIN 4109

EN 1717

ISO 3822

Ü-Zeichen



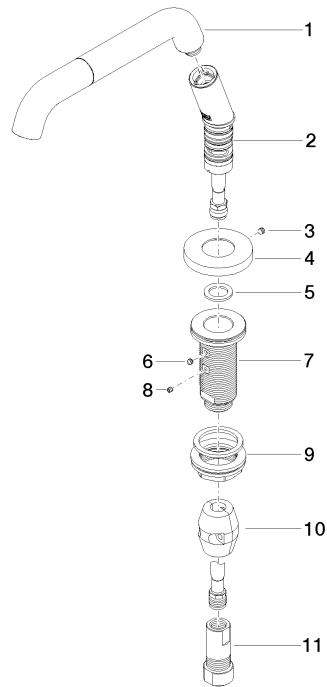
Affusion pipe - Brushed Platinum

SERIES SPECIFIC

27 728 971 Product version from 3/11/2013

Certificates and sustainability

Belgaqua_21-023-2 LGA_28



Spare parts list

No.	Item Number	Name	Quantity used	Delivery time
2	90 28 22 260 00-06	spout	1.00	10
10	04 21 50 005 00 90	accessories	1.00	2
7	09 30 01 195-06	connection	1.00	10
4	09 27 22 042-06	rosette	1.00	10
1	90 28 22 264 00-06	spout	1.00	10
9	04 23 10 009 01 90	fixing set	1.00	2
8	09 31 11 099 90	pin	1.00	2
5	09 14 15 065 90	seal	1.00	2
11	90 24 03 241 00 90	nipple	1.00	2
6	90 31 11 063 00 90	pin	1.00	2
3	90 31 11 112 00 90	pin	1.00	2