





27 808 710



- COMPACT RAIN, max. flow rate 6.8 l/min (at 3 bar)
- with anti-scale system
- 3/8" shower outlet
- rosette for wall elbow 78 x 55mm
- rosette for shower holder 78 x 55mm
- metal shower hose 1250mm with integrated anti-twist protection
- 1/2" wall elbow
- This product can help a building meet the requirements of Green Building Rating Systems, e.g. LEED®, BREEAM®, DGNB

Intrinsic protection against back flow.

	Chrome	27 808 710-00 0010
	Chrome	27 808 710-00
	Brushed Platinum	27 808 710-06
	Brushed Platinum	27 808 710-06 0010

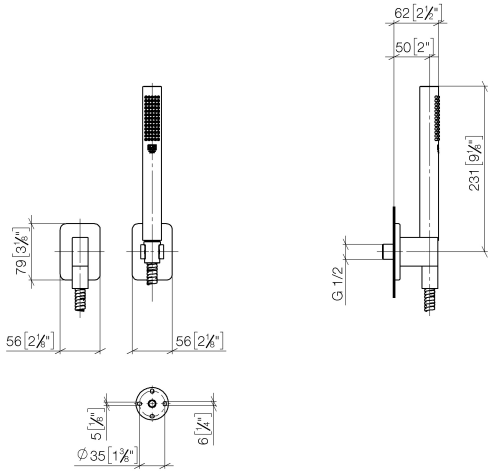
**Recommended miscellaneous**



- Concealed wall elbow -** 35 085 970 90
- max. recess depth 163 mm
  - min. recess depth 90 mm

27 808 710

mm [inches]



**Flow rate chart**



**Codes & Standards**

ASME A112.18.1

cUPC

DIN 4109

ISO 3822

**Ü-Zeichen**



## LULU Hand shower set with individual rosettes FlowReduce - Chrome

---

LULU

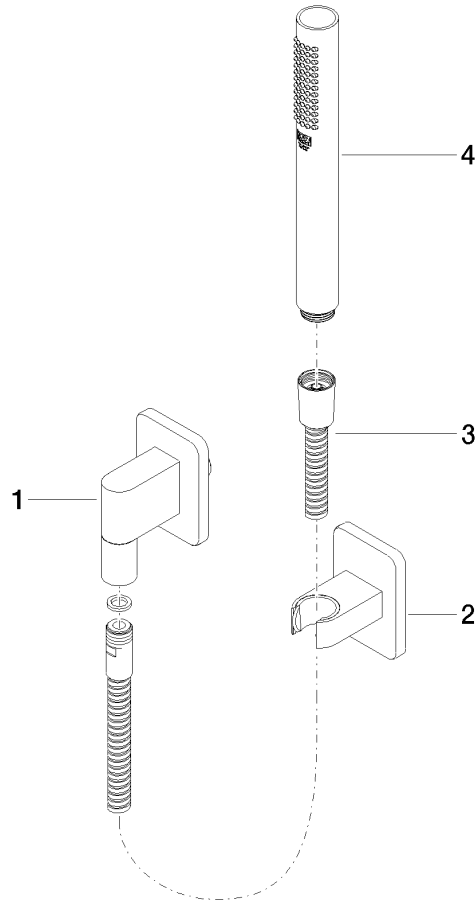
27 808 710

### Certificates

---

IAPMO\_4976

LGA\_29





## LULU Hand shower set with individual rosettes FlowReduce - Chrome

LULU

27 808 710

### Spare parts list

No.	Item Number	Name	Quantity used	Delivery time
	28 450 710-00	LULU Wall elbow - Chrome	4	10