

# WATER TUBE Kneipp wall elbow with hose holder with individual rosettes - Brushed Champagne (22kt Gold)

IMO

27 821 979



Fits: IMO, MEM, CL.1, CYO

- LAMINAR FLOW, max. flow rate 15 l/min (at 3 bar)
- with volume control
- rosette 60 x 60 mm
- holder for Kneipp hose
- 1/2" wall elbow
- without hose

Intrinsic protection against back flow.

Product change as of 1.4.2023: max. flow 15 l/min

	Brushed Champagne (22kt Gold)	27 821 979-46
	Chrome	27 821 979-00
	Brushed Platinum	27 821 979-06
	Platinum	27 821 979-08
	Dark Chrome	27 821 979-19
	Brushed Light Gold	27 821 979-27
	Brushed Durabronze (23kt Gold)	27 821 979-28
	Matte Black	27 821 979-33
		27 821 979-39
	Brushed Bronze	27 821 979-42
		27 821 979-43
	Champagne (22kt Gold)	27 821 979-47
	Brushed Chrome	27 821 979-93
	Brushed Dark Platinum	27 821 979-99

## Recommended miscellaneous



- Concealed wall elbow -** 35 085 970 90
- max. recess depth 163 mm
  - min. recess depth 90 mm

## Required miscellaneous



- WATER TUBE Kneipp hose black 2000 mm - Brushed Champagne (22kt Gold)** 28 286 979-46
- with holding ring
  - hose nozzle with sleeve M33

## Required miscellaneous



- WATER TUBE Kneipp hose white 2000 mm - Brushed Champagne (22kt Gold)** 28 285 979-46
- with holding ring
  - hose nozzle with sleeve M33

**WATER TUBE Kneipp wall elbow with hose holder with individual rosettes -  
Brushed Champagne (22kt Gold)**

IMO

27 821 979  
mm [inches]



**Flow rate chart**



**Codes & Standards**

EN 1717



WATER TUBE Kneipp wall elbow with hose holder with individual rosettes -  
Brushed Champagne (22kt Gold)

---

IMO

27 821 979

Certificates

---

Belgaqua\_22\_280\_2

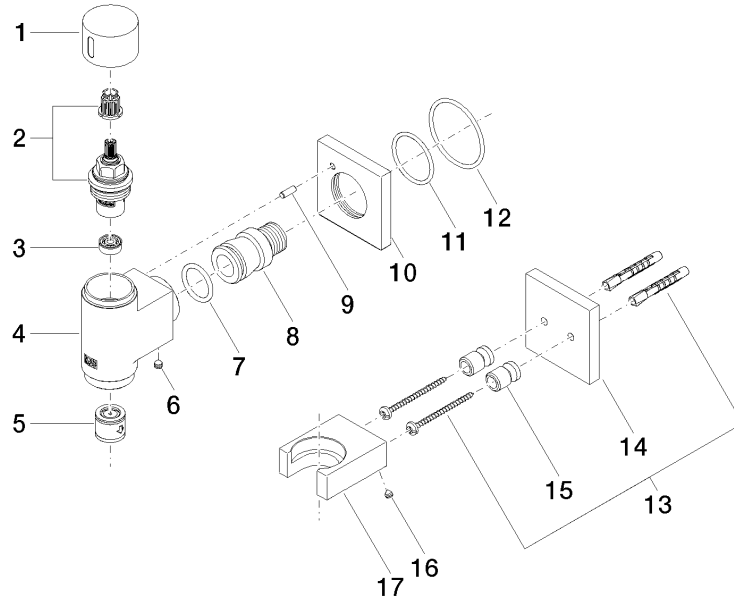
WATER TUBE Kneipp wall elbow with hose holder with individual rosettes -  
Brushed Champagne (22kt Gold)

27 821 979

Product version up to 3/12/2018

Product version from 3/12/2018 to 3/6/2023

**Product version from 3/6/2023**





WATER TUBE Kneipp wall elbow with hose holder with individual rosettes -  
Brushed Champagne (22kt Gold)

---

IMO

27 821 979

Spare parts list

Product version up to 3/12/2018

Product version from 3/12/2018 to 3/6/2023

**Product version from 3/6/2023**

No.	Item Number	Name	Quantity used	Delivery time
	28 486 979-46	connection	8	-

Spare part can no longer be ordered, please order the replacement item

---