

**WATER TUBE Kneipp wall elbow with hose holder with individual rosettes -
Brushed Platinum**

LULU

27 823 979



Fits: LULU, MADISON, TARA, LISSÉ, VAIA,
META


- LAMINAR FLOW, max. flow rate 15 l/min (at 3 bar)
- with volume control
- rosette Ø 60 mm
- holder for Kneipp hose
- 1/2" wall elbow
- without hose

Intrinsic protection against back flow.

Product change as of 1.4.2023: max. flow 15 l/min

	Brushed Platinum	27 823 979-06
	Chrome	27 823 979-00
	Platinum	27 823 979-08
	Dark Chrome	27 823 979-19
	Light Gold	27 823 979-26
	Brushed Light Gold	27 823 979-27
	Brushed Durabronze (23kt Gold)	27 823 979-28
	Matte Black	27 823 979-33
	Brushed Bronze	27 823 979-42
	Brushed Champagne (22kt Gold)	27 823 979-46
	Champagne (22kt Gold)	27 823 979-47
	Brushed Chrome	27 823 979-93
	Brushed Dark Platinum	27 823 979-99

Recommended miscellaneous

	Concealed wall elbow - ● max. recess depth 163 mm ● min. recess depth 90 mm	35 085 970 90
---	--	---------------

Required miscellaneous

	WATER TUBE Kneipp hose white 2000 mm - Brushed Platinum ● with holding ring ● hose nozzle with sleeve M33	28 285 979-06
---	--	---------------

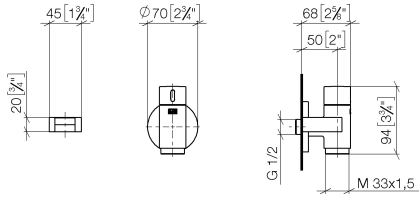
Required miscellaneous

	WATER TUBE Kneipp hose black 2000 mm - Brushed Platinum ● with holding ring ● hose nozzle with sleeve M33	28 286 979-06
---	--	---------------

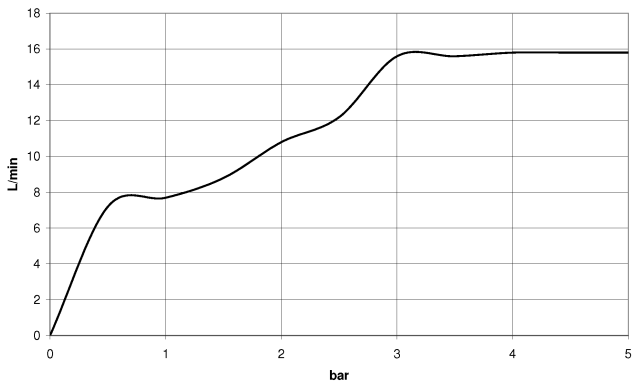
**WATER TUBE Kneipp wall elbow with hose holder with individual rosettes -
Brushed Platinum**

LULU

27 823 979
mm [inches]

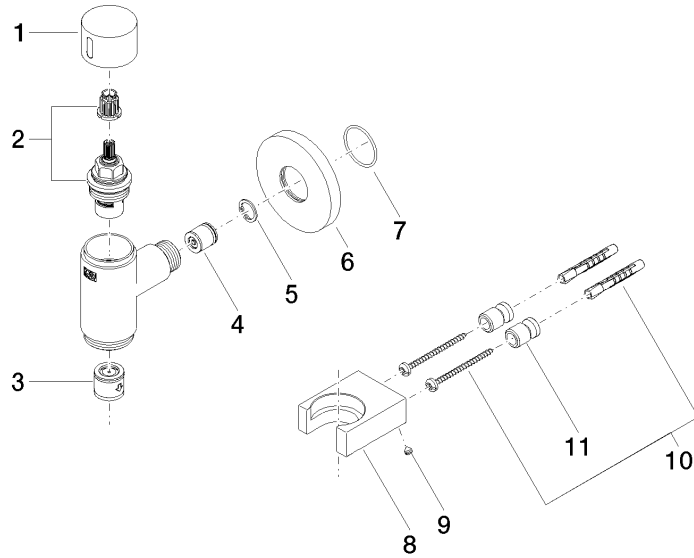


Flow rate chart



27 823 979

Product version from 10/1/2023





WATER TUBE Kneipp wall elbow with hose holder with individual rosettes -
Brushed Platinum

LULU

27 823 979

Spare parts list

Product version from 10/1/2023

No.	Item Number	Name	Quantity used	Delivery time
	09 20 97 021-06	handle	11	10