






EDITION PRO Rain shower with wall fixing 220 mm - Brushed Chrome

28 649 626



- 450mm projection
- rain flow
- with anti-scale system
- rain shower Ø 220 mm
- rosette Ø 60 mm
- 1/2" connection
- max. flow 14 l/min
- quick clearing
- WRAS 2212012

	Brushed Chrome	28 649 626-93
	Chrome	28 649 626-00
	Matte Black	28 649 626-33

Required miscellaneous



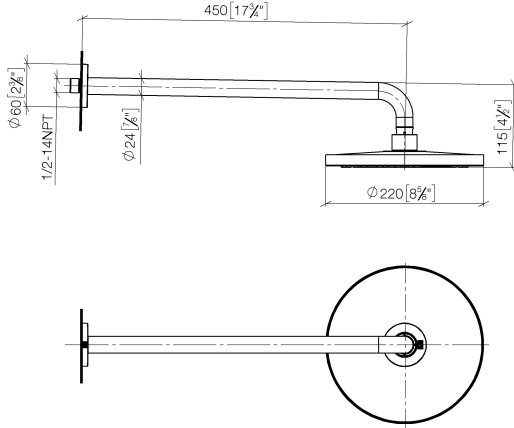
- Concealed wall elbow -** 35 085 970 90
- min. recess depth 90 mm
 - max. recess depth 163 mm



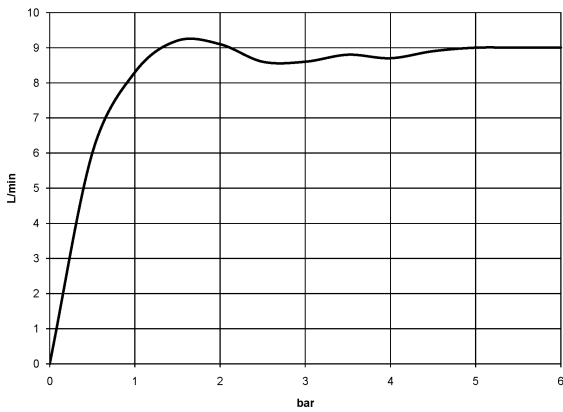
EDITION PRO Rain shower with wall fixing 220 mm - Brushed Chrome

28 649 626

mm [inches]



Flow rate chart



Codes & Standards

DIN 4109

ISO 3822

Scottish Water
Byelaws

UK Water Supply
Regulations

Ü-Zeichen



EDITION PRO Rain shower with wall fixing 220 mm - Brushed Chrome

28 649 626

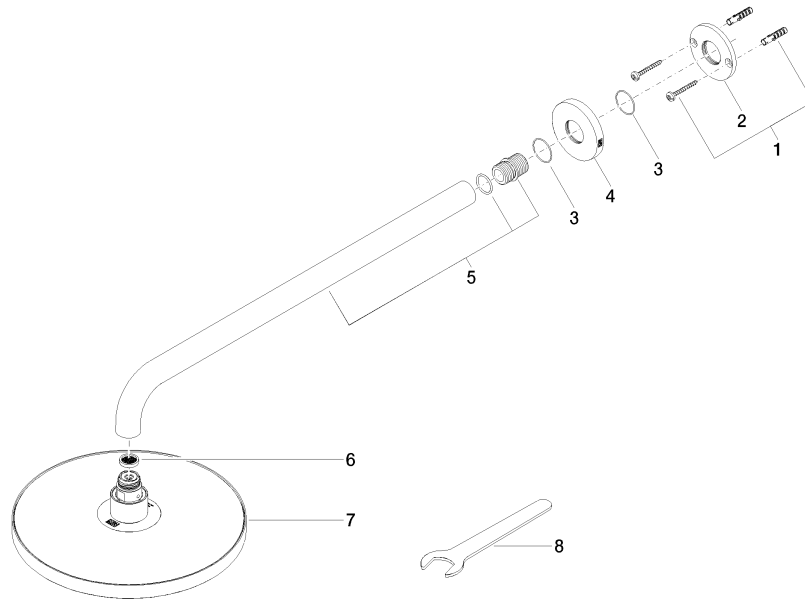
Certificates

LGA_38

WRAS_2212

EDITION PRO Rain shower with wall fixing 220 mm - Brushed Chrome

28 649 626





EDITION PRO Rain shower with wall fixing 220 mm - Brushed Chrome

28 649 626

Spare parts list

No.	Item Number	Name	Quantity used	Delivery time
	04 30 31 032 00 90	fixing set	8	2