

Rain shower with wall fixing 300 mm - Brushed Durabronze (23kt Gold)

TARA

28 679 970




- 450mm projection
- rain shower Ø 300 mm
- PURE RAIN, max. flow rate 14 l/min (at 3 bar)
- Function from: 10 l/min
- rosette Ø 60 mm
- 1/2" connection
- with anti-scale system
- quick clearing
- WRAS 2212012

Fits: TARA, LISSÉ, VAIA, META

| | | |
|--|--------------------------------|---------------|
|  | Brushed Durabronze (23kt Gold) | 28 679 970-28 |
|  | Chrome | 28 679 970-00 |
|  | Brushed Platinum | 28 679 970-06 |
|  | Platinum | 28 679 970-08 |
|  | Dark Chrome | 28 679 970-19 |
|  | Light Gold | 28 679 970-26 |
|  | Brushed Light Gold | 28 679 970-27 |
|  | Matte Black | 28 679 970-33 |
|  | Brushed Bronze | 28 679 970-42 |
|  | Brushed Champagne (22kt Gold) | 28 679 970-46 |
|  | Champagne (22kt Gold) | 28 679 970-47 |
|  | Brushed Chrome | 28 679 970-93 |
|  | Brushed Dark Platinum | 28 679 970-99 |

Recommended miscellaneous

| | | |
|---|--|---------------|
|  | Concealed wall elbow - ● max. recess depth 163 mm ● min. recess depth 90 mm | 35 085 970 90 |
|---|--|---------------|

28 679 970

mm [inches]



Flow rate chart



Codes & Standards

DIN 4109

EN 1112

ISO 3822

Scottish Water
Byelaws

UK Water Supply
Regulations

Ü-Zeichen



Rain shower with wall fixing 300 mm - Brushed Durabron (23kt Gold)

TARA

28 679 970

Certificates

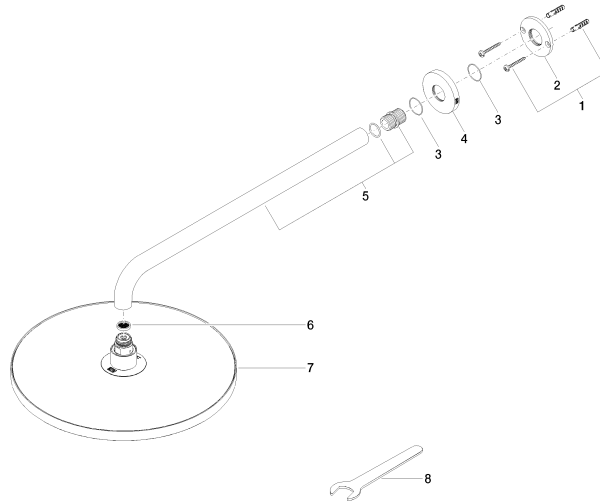
LGA_29

DVGW_DW-
6517DN0

WRAS_2212

28 679 970

Product version from 3/13/2017





Rain shower with wall fixing 300 mm - Brushed Durabron (23kt Gold)

TARA

28 679 970

Spare parts list

Product version from 3/13/2017

| No. | Item Number | Name | Quantity used | Delivery time |
|-----|--------------------|------------|---------------|---------------|
| | 04 30 31 032 00 90 | fixing set | 9 | 2 |