

29 128 705



- with CASCADE structure
- rotary diverter
- hole diameter 37 mm
- rosette 60 x 60 mm
- 1/2" connection
- max. flow 23.5 l/min at 3 bar flow pressure

**Not suitable for combining with Perfecto (12 614 970 90).**

Not suitable for combining with Perfecto (12 614 970 90).

Required miscellaneous

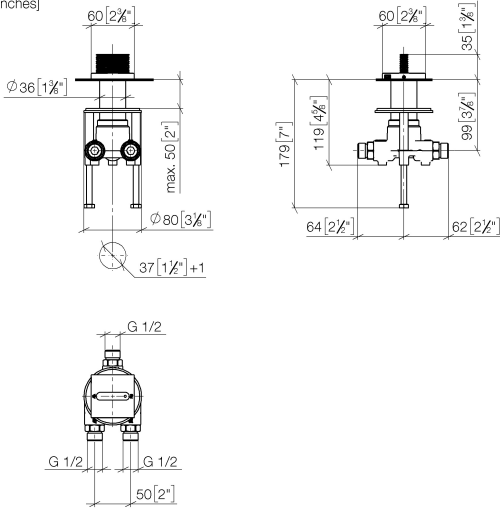


Hose set -

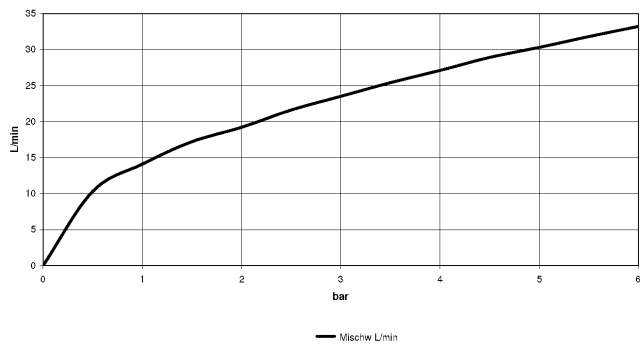
12 509 970 90

29 128 705

mm [inches]



**Flow rate chart**



**Codes & Standards**

ASME A112.18.1

cUPC

DIN 4109

ISO 3822

**Ü-Zeichen**



## CL.1 Two-way diverter - Chrome

---

CL.1

29 128 705

### Certificates

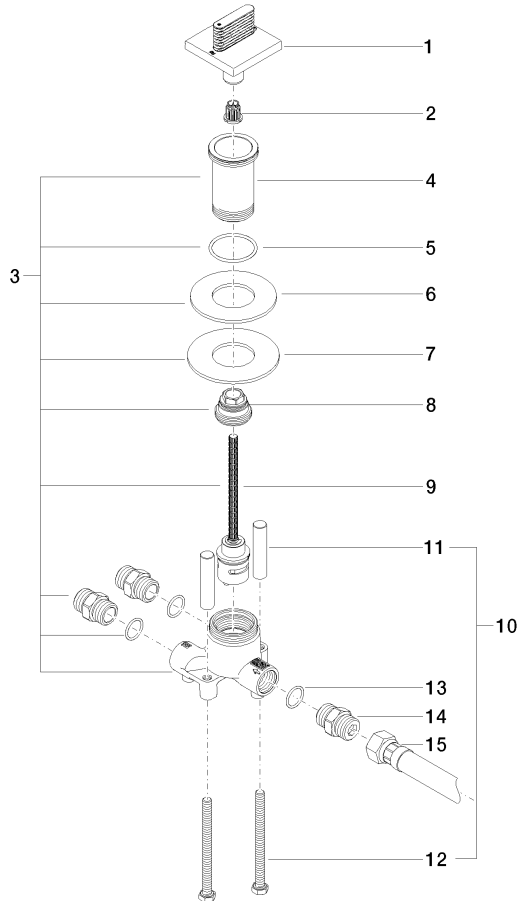
---

LGA\_18

IAPMO\_4976

29 128 705

Product version from 3/9/2015





## CL.1 Two-way diverter - Chrome

CL.1

29 128 705

### Spare parts list

#### Product version from 3/9/2015

No.	Item Number	Name	Quantity used	Delivery time
	90 20 70 054 01-00	handle	21	10