

## MADISON Two-way diverter for bath rim or tile edge installation - Brushed Platinum

---

MADISON

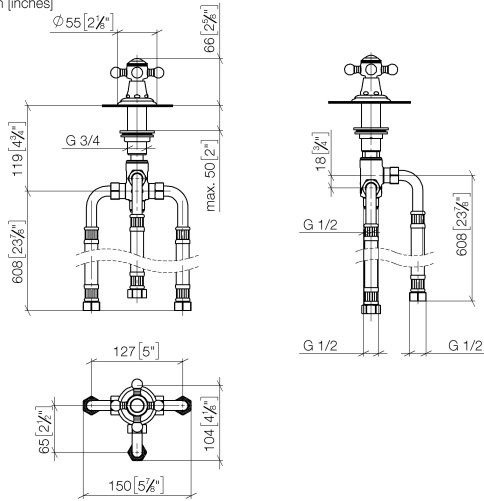
29 140 360 Product version from 6/30/2015



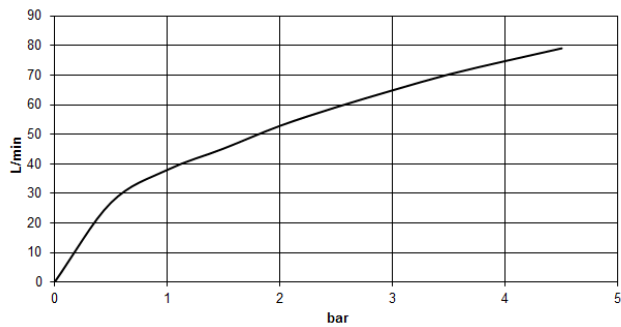
- automatic bath/shower diverter
- hole diameter 32 mm
- rosette Ø 55 mm
- 1/2" connection
- max. flow 64.9 l/min at 3 bar flow pressure

29 140 360 Product version from 6/30/2015

mm [inches]



**Flow rate chart**



**Codes & Standards**

ASME A112.18.1

cUPC

DIN 4109

ISO 3822

**Ü-Zeichen**



MADISON Two-way diverter for bath rim or tile edge installation - Brushed  
Platinum

---

MADISON

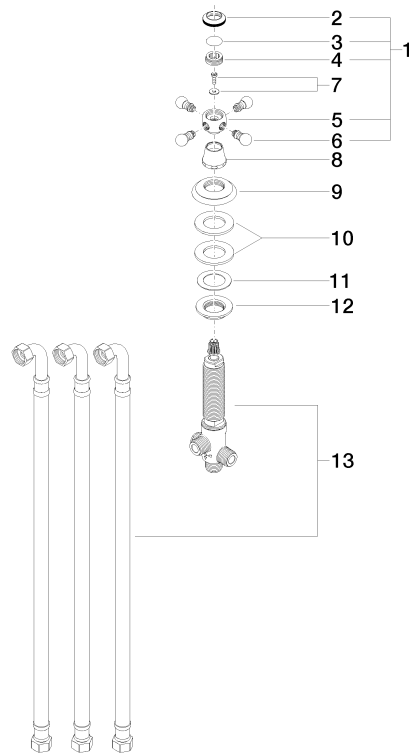
29 140 360 Product version from 6/30/2015

Certificates and sustainability

---

LGA\_29

IAPMO\_4976



**Spare parts list**

No.	Item Number	Name	Quantity used	Delivery time
	7 04 30 30 029 00 90	fixing set	1.00	2
	4 09 20 83 006 90	handle	1.00	2
	10 09 14 05 014 90	seal	1.00	2
	5 09 20 36 002-06	handle	1.00	10
	2 09 20 36 005-06	handle	1.00	10
	11 09 14 40 002 90	seal	1.00	2
	13 90 17 09 051 00 90	diverter	1.00	2
	8 09 21 02 055-06	cover	1.00	10
	6 09 20 36 004-06	handle	4.00	10
	9 09 27 35 001-06	rosette	1.00	10
	1 04 20 36 002 08-06	handle	1.00	10
	12 09 23 10 004 90	nut	1.00	2
	3 09 26 01 016 90	accessories	1.00	2