

29 140 670 Product version from 6/30/2015

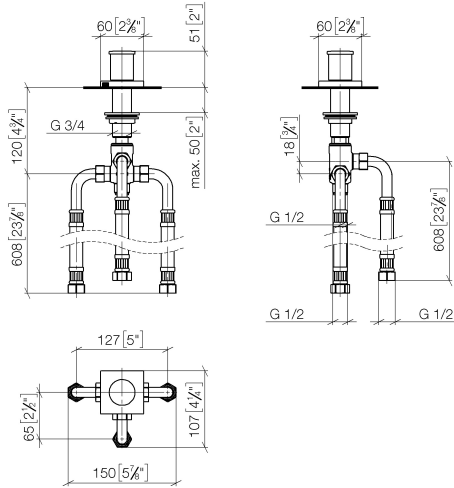


- automatic bath/shower diverter
- hole diameter 32 mm
- rosette 60 x 60 mm
- 1/2" connection
- max. flow 64.9 l/min at 3 bar flow pressure
- WRAS

| | | |
|--|-------------------------------------|---------------|
|  | Chrome | 29 140 670-00 |
|  | Brushed Platinum | 29 140 670-06 |
|  | Platinum | 29 140 670-08 |
|  | Dark Chrome | 29 140 670-19 |
|  | Brushed Light Gold | 29 140 670-27 |
|  | Brushed Durabronze (23kt Gold) | 29 140 670-28 |
|  | Matte Black | 29 140 670-33 |
|  | Brushed Champagne (22kt Gold) | 29 140 670-46 |
|  | Champagne (22kt Gold) | 29 140 670-47 |
|  | Brushed Chrome | 29 140 670-93 |
|  | Brushed Dark Platinum | 29 140 670-99 |

29 140 670 Product version from 6/30/2015

mm [inches]



Flow rate chart



Codes & Standards

| | | | |
|------------------------|-----------------------------|-----------|----------|
| ASME A112.18.1 | cUPC | DIN 4109 | ISO 3822 |
| Scottish Water Byelaws | UK Water Supply Regulations | Ü-Zeichen | |



Two-way diverter for bath rim or tile edge installation - Chrome

SERIES SPECIFIC

29 140 670 Product version from 6/30/2015

Certificates and sustainability

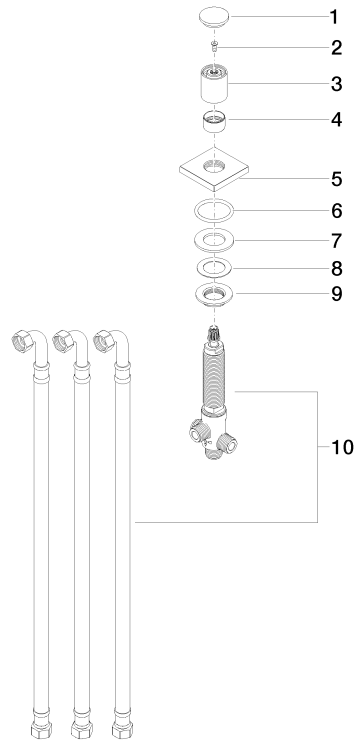
WRAS_1911

LGA_29

IAPMO_4976

29 140 670 Product version from 6/30/2015

Parts for other finishes can be found here: Brushed Platinum



Spare parts list

| No. | Item Number | Name | Quantity used | Delivery time |
|-----|--------------------|----------|---------------|---------------|
| 9 | 09 23 10 004 90 | nut | 1.00 | 2 |
| 3 | 09 20 71 002-00 | handle | 1.00 | 10 |
| 10 | 90 17 09 051 00 90 | diverter | 1.00 | 2 |
| 4 | 09 16 01 012-00 | ring | 1.00 | 10 |
| 8 | 09 14 40 002 90 | seal | 1.00 | 2 |
| 1 | 09 20 71 003-00 | handle | 1.00 | 10 |
| 2 | 90 30 30 014 00 90 | screw | 1.00 | 2 |
| 5 | 09 27 67 006-00 | rosette | 1.00 | 10 |
| 7 | 09 14 05 014 90 | seal | 1.00 | 2 |
| 6 | 90 14 10 043 00 90 | seal | 1.00 | 2 |