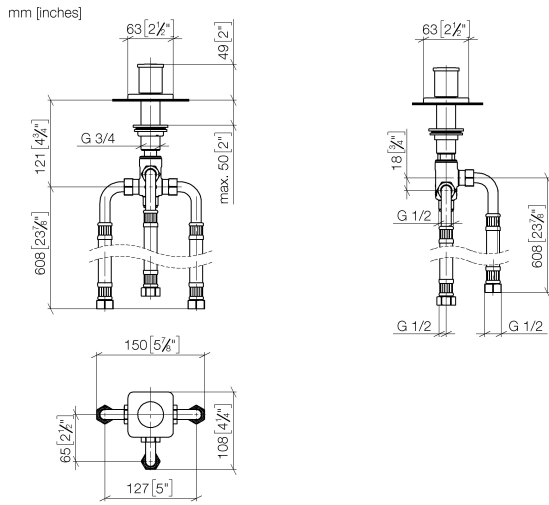


29 140 710 Product version from 6/30/2015

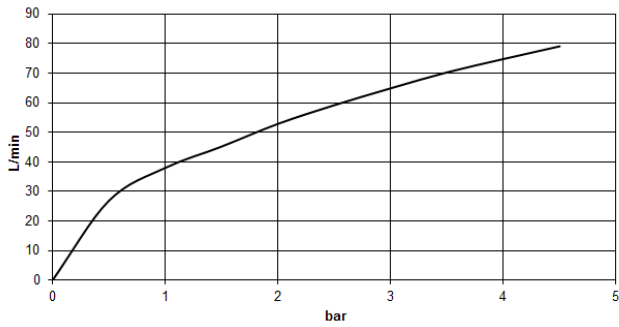


- automatic bath/shower diverter
- hole diameter 32 mm
- rosette 63 x 63 mm
- 1/2" connection
- max. flow 64.9 l/min at 3 bar flow pressure
- WRAS

29 140 710 Product version from 6/30/2015



Flow rate chart



Codes & Standards

ASME A112.18.1	cUPC	DIN 4109	ISO 3822
Scottish Water Byelaws	UK Water Supply Regulations	Ü-Zeichen	



LULU Two-way diverter for bath rim or tile edge installation - Brushed Platinum

LULU

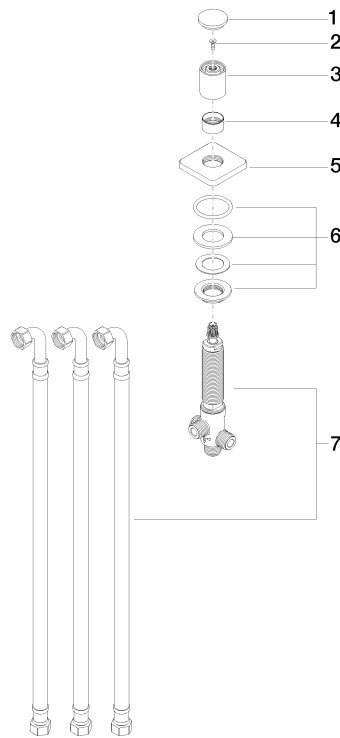
29 140 710 Product version from 6/30/2015

Certificates and sustainability

WRAS_1911

LGA_29

IAPMO_4976



Spare parts list

No.	Item Number	Name	Quantity used	Delivery time
6	04 23 10 004 03 90	fixing set	1.00	2
4	09 16 01 012-06	ring	1.00	10
2	90 30 30 014 00 90	screw	1.00	2
1	09 20 71 003-06	handle	1.00	10
7	90 17 09 051 00 90	diverter	1.00	2
3	09 20 71 002-06	handle	1.00	10
5	09 27 71 008-06	rosette	1.00	60