

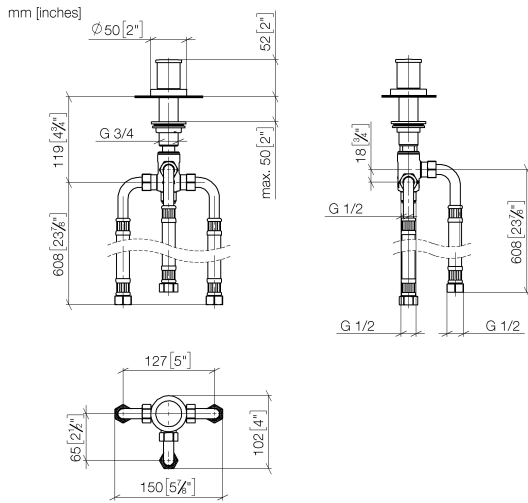
29 140 979 Product version from 6/30/2015



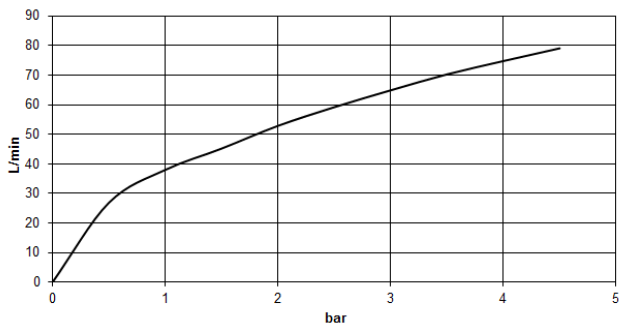
- automatic bath/shower diverter
- hole diameter 32 mm
- rosette Ø 50 mm
- 1/2" connection
- max. flow 64.9 l/min at 3 bar flow pressure
- WRAS

	Matte Black	29 140 979-33
	Chrome	29 140 979-00
	Brushed Platinum	29 140 979-06
	Platinum	29 140 979-08
	Dark Chrome	29 140 979-19
	Brushed Durabronze (23kt Gold)	29 140 979-28
	Brushed Bronze	29 140 979-42
	Brushed Champagne (22kt Gold)	29 140 979-46
	Champagne (22kt Gold)	29 140 979-47
	Brushed Chrome	29 140 979-93
	Brushed Dark Platinum	29 140 979-99

29 140 979 Product version from 6/30/2015



Flow rate chart



Codes & Standards

DIN 4109

ISO 3822

Scottish Water
Byelaws

UK Water Supply
Regulations

Ü-Zeichen



Two-way diverter for bath rim or tile edge installation - Matte Black

SERIES SPECIFIC

29 140 979 Product version from 6/30/2015

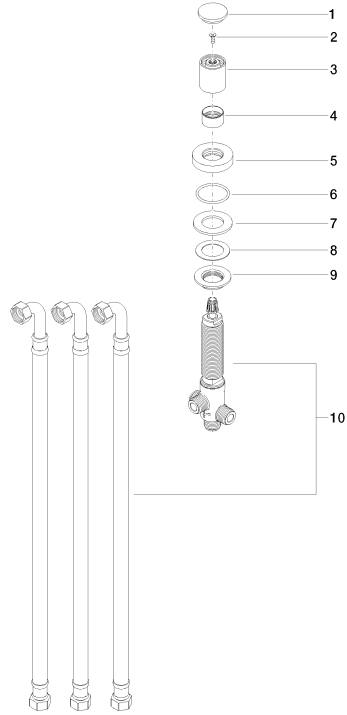
Certificates and sustainability

WRAS_1911

LGA_29

29 140 979 Product version from 6/30/2015

Parts for other finishes can be found here: [Chrome](#)



Spare parts list

No.	Item Number	Name	Quantity used	Delivery time
	7 09 14 05 014 90	seal	1.00	2
	5 09 27 97 013-33	rosette	1.00	30
	8 09 14 40 002 90	seal	1.00	2
	2 90 30 30 014 00 90	screw	1.00	2
	1 09 20 71 003-33	handle	1.00	30
	3 09 20 71 002-33	handle	1.00	30
	10 90 17 09 051 00 90	diverter	1.00	2
	4 09 16 01 012-33	ring	1.00	30
	9 09 23 10 004 90	nut	1.00	2
	6 09 14 10 030 90	seal	1.00	2