

## META 02 Two-hole mixer with individual rosettes - Brushed Dark Platinum

---

32 800 625



- 200mm projection
- pivotable spout 360°
- air-enriched flow
- height of mixer 275 mm
- height up to aerator 180 mm
- hole diameter spout 35 mm
- single-lever mixer hole diameter 35 mm
- max. flow 7 l/min at 3 bar flow pressure
- lead-free
- WRAS 2101013

Operating unit can be positioned freely.

### Recommended miscellaneous

---

**Strainer waste with control handle** 10 710 970-99  
**- Brushed Dark Platinum**



### Recommended miscellaneous

---

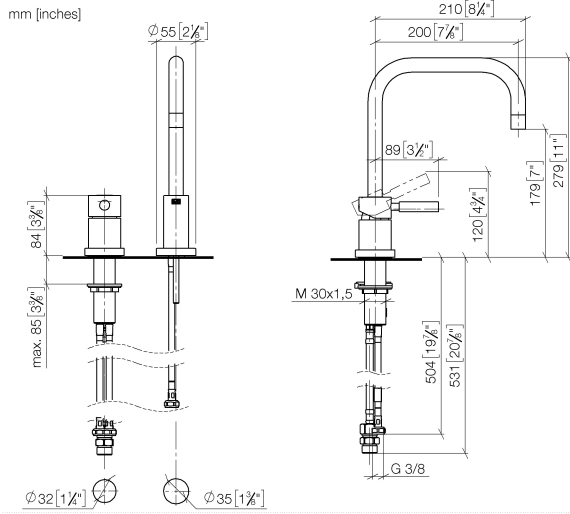
**Dispenser with rosette - Brushed** 82 444 970-99  
**Dark Platinum**



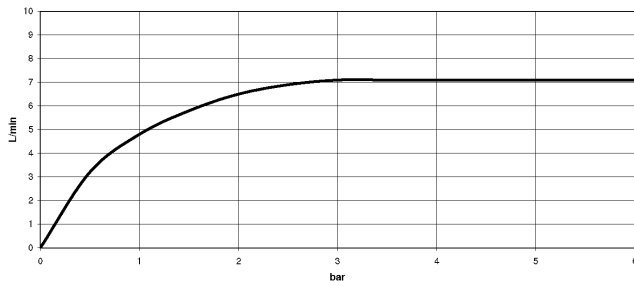


## META 02 Two-hole mixer with individual rosettes - Brushed Dark Platinum

32 800 625



### Flow rate chart



### Codes & Standards

DIN 4109

EN 817

ISO 3822

Scottish Water  
Byelaws

UK Water Supply  
Regulations

Ü-Zeichen

VA-Zeichen



## META 02 Two-hole mixer with individual rosettes - Brushed Dark Platinum

---

32 800 625

### Certificates

---

ETA\_18

LGA\_9

WRAS\_2101



# META 02 Two-hole mixer with individual rosettes - Brushed Dark Platinum

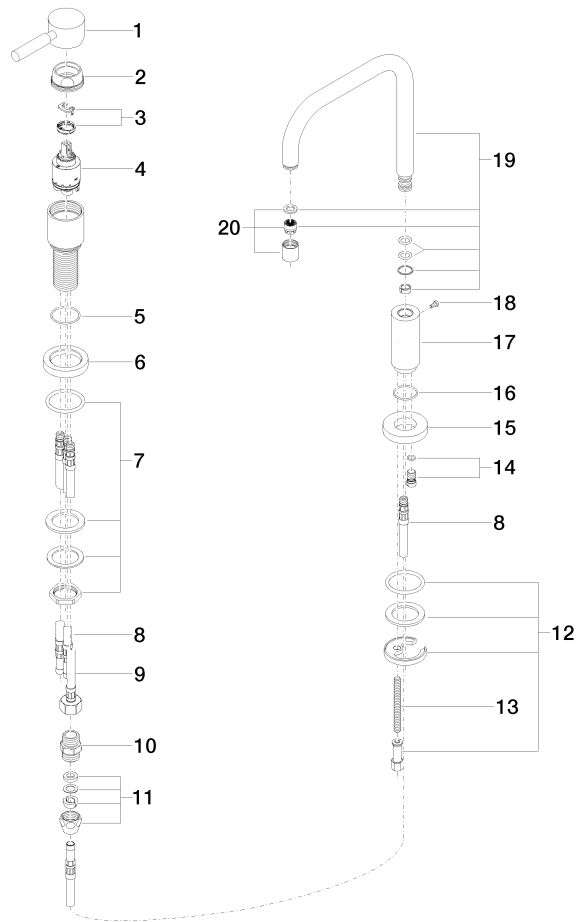
32 800 625

Product version up to 5/31/2010

Product version from 5/31/2010 to 3/10/2021

Product version from 3/10/2021 to 5/11/2021

**Product version from 5/11/2021**





## META 02 Two-hole mixer with individual rosettes - Brushed Dark Platinum

---

32 800 625

### Spare parts list

Product version up to 5/31/2010

Product version from 5/31/2010 to 3/10/2021

Product version from 3/10/2021 to 5/11/2021

### **Product version from 5/11/2021**

No.	Item Number	Name	Quantity used	Delivery time
	90 20 62 040 00-99	handle	21	30