

32 843 680



- 235mm projection
- pivotable spout 360°
- air-enriched flow
- height of mixer 345 mm
- height up to aerator 319 mm
- cover plate 126 x 55 mm
- hole diameter spout 35 mm
- single-lever mixer hole diameter 44 mm
- gauge 71 mm
- max. flow 8 l/min at 3 bar flow pressure
- lead-free
- WRAS
- This product can help a building meet the requirements of Green Building Rating Systems, e.g. LEED®, BREEAM®, DGNB

**Recommended miscellaneous**



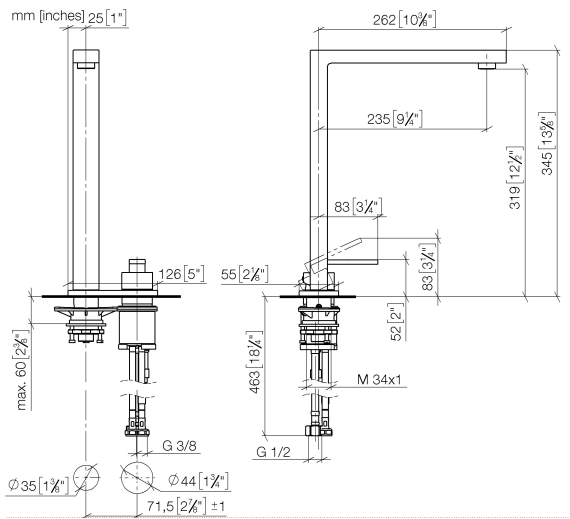
**Strainer waste with control handle - Dark Chrome** 10 711 970-19

**Recommended miscellaneous**



**Dispenser with rosette - Dark Chrome** 82 439 970-19

32 843 680



**Flow rate chart**



**Codes & Standards**

DIN 4109

Executive Order  
no. 1007

ISO 3822

Ü-Zeichen



LOT Two-hole mixer with cover plate - Dark Chrome

LOT

32 843 680

Certificates

GDV\_0400

LGA\_18

32 843 680

