

META Single-lever bath mixer for wall mounting without shower set - Brushed Light Gold

META

33 200 660

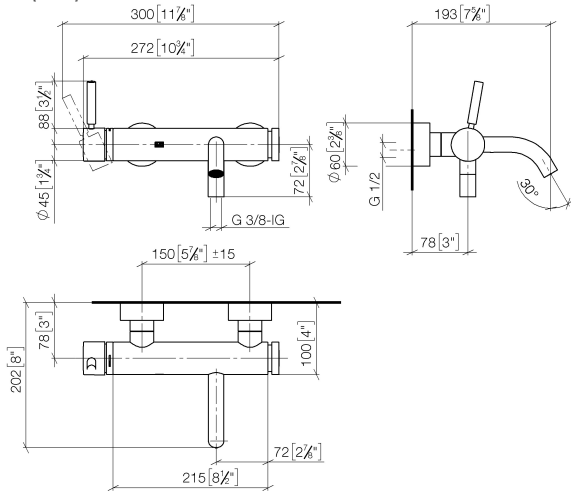


- 202mm projection
- circular normal flow
- automatic bath/shower diverter
- 3/8" shower outlet
- slide-on rosettes Ø 60 mm
- 1/2" connection
- gauge 150 mm - 15 mm
- max. flow 14 l/min at 3 bar flow pressure
- WRAS 2207043

Intrinsic protection against back flow.

	Brushed Light Gold	33 200 660-27
	Chrome	33 200 660-00
	Brushed Platinum	33 200 660-06
	Dark Chrome	33 200 660-19
	Light Gold	33 200 660-26
	Matte Black	33 200 660-33
	Brushed Bronze	33 200 660-42
	Brushed Champagne (22kt Gold)	33 200 660-46
	Champagne (22kt Gold)	33 200 660-47
	Brushed Chrome	33 200 660-93
	Brushed Dark Platinum	33 200 660-99

33 200 660
mm [inches]



Flow rate chart



Certificates

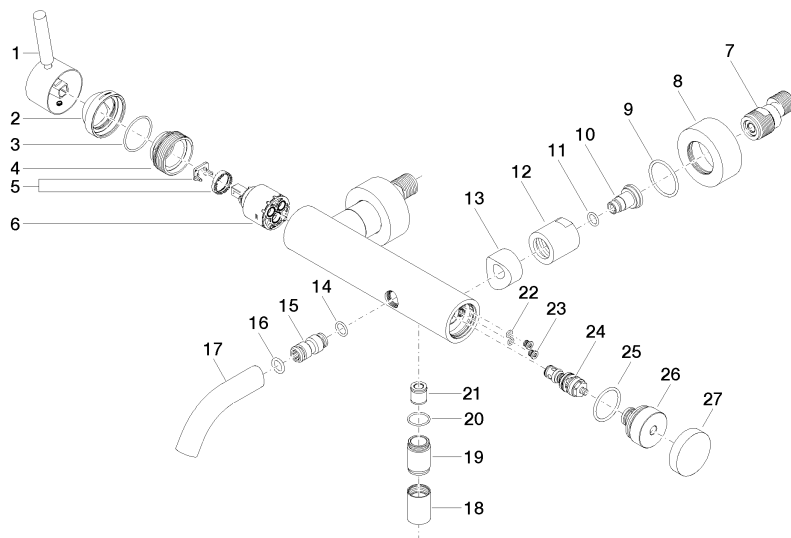
LGA_29687.

**META Single-lever bath mixer for wall mounting without shower set - Brushed
Light Gold**

META

33 200 660

Parts for other
finishes can be found
here: [Chrome](#)





META Single-lever bath mixer for wall mounting without shower set - Brushed Light Gold

META

33 200 660

Spare parts list

No.	Item Number	Name	Quantity used	Delivery time
1	90 20 66 007 00-27	handle	1	30
2	09 28 30 032-27	cover	1	60
3	09 14 10 102 90	seal	1	2
4	09 24 04 296 90	nut	1	2
5	90 28 10 148 00 90	accessories	1	2
6	90 15 05 064 00 90	cartridge	1	2
7	04 11 04 030 00 90	connection	2	2
8	09 27 62 004-27	rosette	2	60
9	09 14 10 119 90	seal	2	2
10	09 29 05 005 20 90	nipple	2	60
11	09 14 10 008 90	seal	2	2
12	09 23 10 048-27	nut	2	60
13	09 18 40 059-27	sleeve	2	60
14	09 14 10 003 90	seal	1	2
15	09 24 04 043 90	nipple	1	2
16	90 14 10 011 00 90	seal	1	2
17	90 11 06 213 00-27	spout	1	-
Spare part can no longer be ordered, please order the replacement item				
18	90 21 02 069 00-27	cover	1	30
19	09 24 03 115 20-27	nipple	1	60
20	90 14 10 032 00 90	seal	1	2
21	90 23 01 141 00 90	back-flow preventer	1	2
22	09 14 10 001 90	seal	2	2
23	09 30 30 113 20 90	screw	2	2
24	90 31 09 032 00-27	diverter	1	-
Spare part can no longer be ordered, please order the replacement item				
25	09 14 10 101 90	seal	1	2
26	09 21 10 035 20-27	nipple	1	60
27	09 20 62 031-27	handle	1	60