








33 500 671 Product version from 4/1/2024



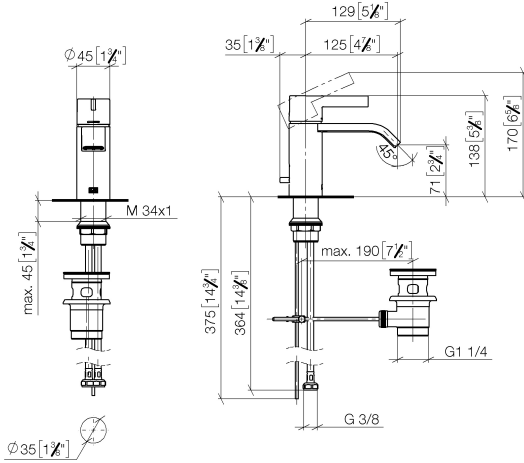
- 125mm projection
- fixed spout
- rectangular, air-enriched flow
- height of mixer 138 mm
- height up to aerator 71 mm
- hole diameter 35 mm
- 2x screw-in M 10 x 1 pressure hose, leak-tested
- max. flow 4.6 l/min
- lead-free
- This product can help a building meet the requirements of Green Building Rating Systems, e.g. LEED®, BREEAM®, DGNB

Only suitable for basins with an overflow.

	Brushed Chrome	33 500 671-93
	Chrome	33 500 671-00
	Brushed Platinum	33 500 671-06
	Dark Chrome	33 500 671-19
	Brushed Light Gold	33 500 671-27
	Matte Black	33 500 671-33
	Brushed Dark Platinum	33 500 671-99

33 500 671 Product version from 4/1/2024

mm [inches]



**Flow rate chart**



**Codes & Standards**

DIN 4109

ISO 3822

Ü-Zeichen



## IMO Single-lever basin mixer with pop-up waste - Brushed Chrome

---

IMO

33 500 671 Product version from 4/1/2024

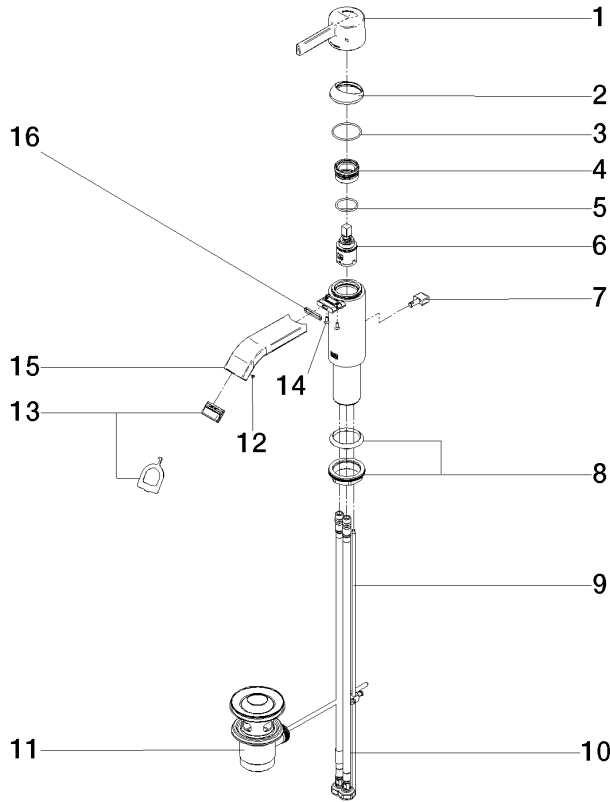
### Certificates

---

LGA\_19

33 500 671 Product version from 4/1/2024

Parts for other finishes can be found here: [Chrome](#)



**Spare parts list**

No.	Item Number	Name	Quantity used	Delivery time
1	90 20 67 019 00-93	handle	1	20
2	90 28 30 059 00-93	cover	1	-
Spare part can no longer be ordered, please order the replacement item				
3	09 14 10 102 90	seal	1	2
4	90 23 10 146 00 90	nut	1	2
5	09 14 10 112 90	seal	1	2
6	90 15 05 042 00 90	cartridge	1	2
7	09 20 67 002-93	handle	1	20
8	04 23 10 044 07 90	fixing set	1	2
9	09 31 09 080-93	pull-rod	1	20
10	04 30 04 104 00 90	hose	2	2
11	90 11 01 001 00-93	pop-up waste	1	20
12	09 31 11 006 90	pin	1	2
13	90 29 03 134 00 90	aerator	1	2
14	09 30 30 166 90	screw	2	2
15	90 28 22 440 00-93	spout	1	20
16	09 14 10 017 90	seal	1	2