

33 501 662



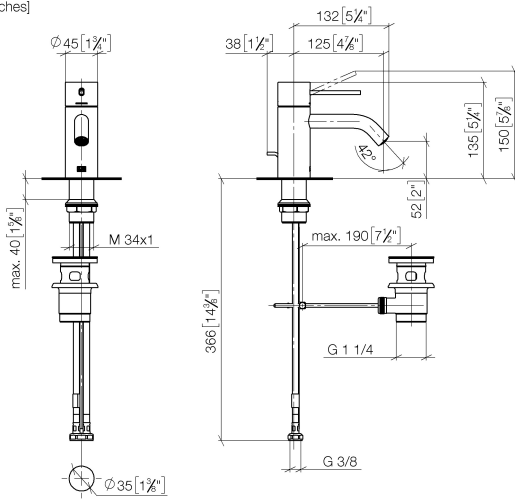
- 125mm projection
- fixed spout
- circular, air-enriched flow
- height of mixer 134 mm
- height up to aerator 52 mm
- hole diameter 35 mm
- 2x screw-in M 8 x 1 pressure hose, leak-tested
- max. flow 5.7 l/min
- lead-free
- This product can help a building meet the requirements of Green Building Rating Systems, e.g. LEED®, BREEAM®, DGNB
- WRAS 2003051

Only suitable for basins with an overflow.

|   |                                     |               |
|---|-------------------------------------|---------------|
|    | Dark Chrome                         | 33 501 662-19 |
|    | Chrome                              | 33 501 662-00 |
|    | Brushed Platinum                    | 33 501 662-06 |
|    | Platinum                            | 33 501 662-08 |
|    | Light Gold                          | 33 501 662-26 |
|    | Brushed Light Gold                  | 33 501 662-27 |
|    | Brushed Durabronze<br>(23kt Gold)   | 33 501 662-28 |
|    | Red                                 | 33 501 662-29 |
|    | Orange                              | 33 501 662-30 |
|   | Dark Green                          | 33 501 662-31 |
|  | Matte Black                         | 33 501 662-33 |
|  | Brushed Bronze                      | 33 501 662-42 |
|  | Brushed<br>Champagne (22kt<br>Gold) | 33 501 662-46 |
|  | Champagne (22kt<br>Gold)            | 33 501 662-47 |
|  | Brushed Chrome                      | 33 501 662-93 |
|  | Brushed Dark<br>Platinum            | 33 501 662-99 |

33 501 662

mm [inches]



**Flow rate chart**



33 501 662

Parts for other  
finishes can be found  
here: [Chrome](#)

