

MEM Single-lever basin mixer with pop-up waste - Brushed Champagne (22kt Gold)

MEM

33 502 782



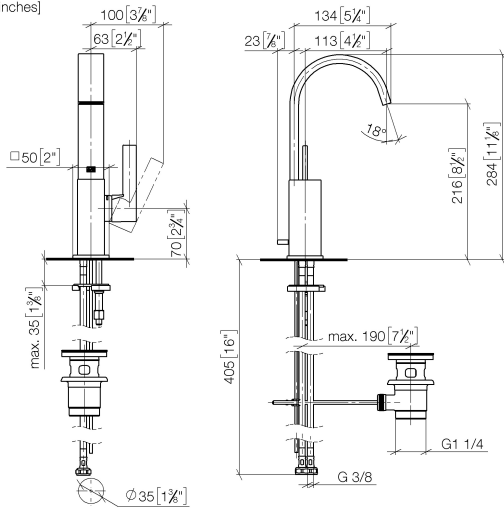
- 113mm projection
- fixed spout
- rectangular, air-enriched flow
- height of mixer 284 mm
- height up to aerator 216 mm
- hole diameter 35 mm
- 2x screw-in M 10 x 1 pressure hose, leak-tested
- max. flow 5.7 l/min
- lead-free
- This product can help a building meet the requirements of Green Building Rating Systems, e.g. LEED®, BREEAM®, DGNB

Only suitable for basins with an overflow.

| | | |
|---|-------------------------------|---------------|
|  | Brushed Champagne (22kt Gold) | 33 502 782-46 |
|  | Chrome | 33 502 782-00 |
|  | Brushed Platinum | 33 502 782-06 |
|  | Platinum | 33 502 782-08 |
|  | Dark Chrome | 33 502 782-19 |
|  | Brushed Durabrass (23kt Gold) | 33 502 782-28 |
|  | Champagne (22kt Gold) | 33 502 782-47 |
|  | Brushed Dark Platinum | 33 502 782-99 |

33 502 782

mm [inches]



Flow rate chart

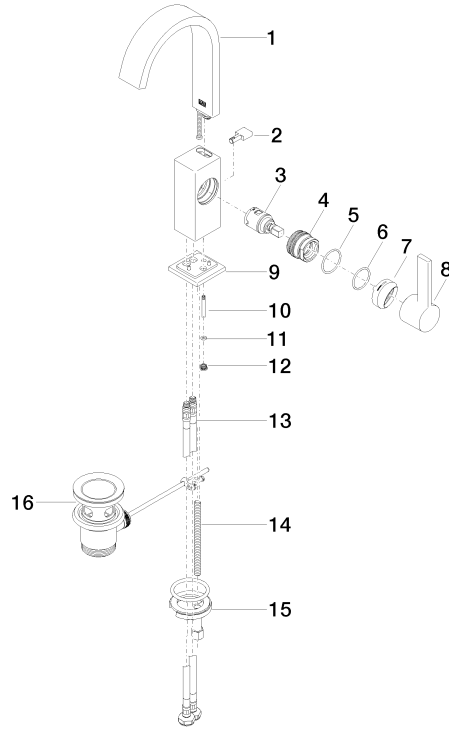


Certificates

LGA_28440.

GDV_0400284.

33 502 782
Parts for other
finishes can be found
here: [Chrome](#)



Spare parts list

| No. | Item Number | Name | Quantity used | Delivery time |
|-----|--------------------|--------------|---------------|---------------|
| 1 | 90 28 22 365 10-46 | spout | 1 | 30 |
| 2 | 09 20 78 032-46 | handle | 1 | 60 |
| 3 | 90 15 05 042 00 90 | cartridge | 1 | 2 |
| 4 | 09 24 04 288 90 | nut | 1 | 2 |
| 5 | 09 14 10 137 90 | seal | 1 | 2 |
| 6 | 90 14 10 063 00 90 | seal | 1 | 2 |
| 7 | 90 28 30 051 00-46 | cover | 1 | 30 |
| 8 | 90 20 86 004 00-46 | handle | 1 | 30 |
| 9 | 90 27 66 021 00-46 | rosette | 1 | 30 |
| 10 | 09 31 09 080-46 | pull-rod | 1 | 30 |
| 11 | 09 14 10 166 90 | seal | 1 | 2 |
| 12 | 09 24 04 290 90 | nipple | 1 | 2 |
| 13 | 04 30 04 100 00 90 | hose | 2 | 2 |
| 14 | 09 31 11 012 90 | pin | 1 | 2 |
| 15 | 04 30 11 038 00 90 | fixing set | 1 | 2 |
| 16 | 90 11 01 001 00-46 | pop-up waste | 1 | 30 |