

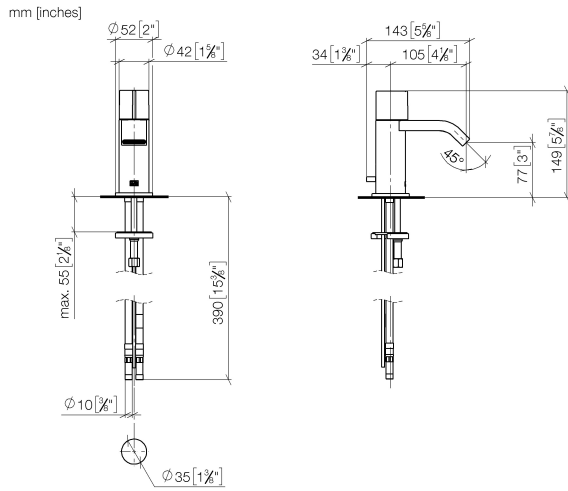
33 507 670 Product version up to 5/10/2021



- 105mm projection
- fixed spout
- rectangular, air-enriched flow
- height of mixer 149 mm
- height up to aerator 80 mm
- hole diameter 35 mm
- rosette Ø 52 mm optional
- progressive cartridge
- 2x screw-in M 10 x 1 pressure hose, leak-tested
- max. flow 7 l/min
- lead-free
- This product can help a building meet the requirements of Green Building Rating Systems, e.g. LEED®, BREEAM®, DGNB

Only suitable for basins with an overflow.

33 507 670 Product version up to 5/10/2021



Flow rate chart



Codes & Standards

DIN 4109

EN 817

Executive Order
no. 1007

ISO 3822

Ü-Zeichen

VA-Zeichen



IMO Single-lever basin mixer with pop-up waste - Brushed Platinum

IMO

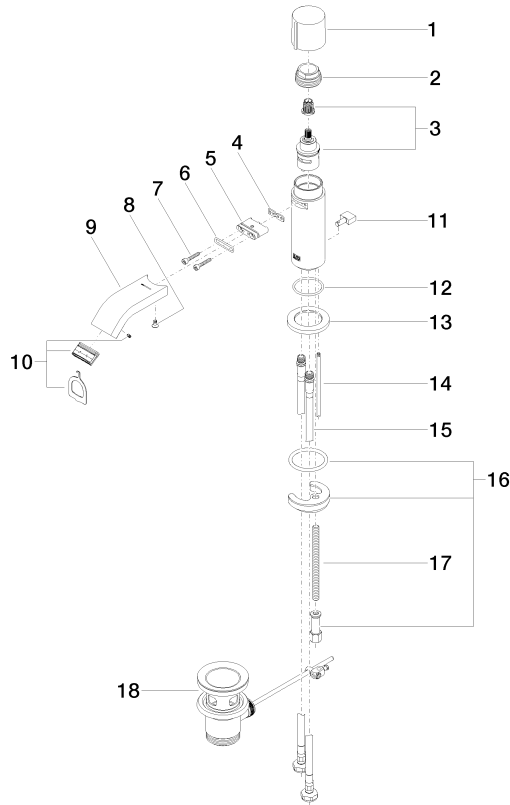
33 507 670 Product version up to 5/10/2021

Certificates and sustainability

LGA_19

ETA_19

GDV_0400



Spare parts list

No.	Item Number	Name	Quantity used	Delivery time
	5 09 11 03 061 90	connection	1.00	2
	11 09 20 67 002-06	handle	1.00	10
	7 09 30 30 182 90	screw	2.00	2
	4 09 14 03 131 90	seal	1.00	2
	9 09 28 22 238-06	spout	1.00	10
	17 09 31 11 012 90	pin	1.00	2
	15 04 30 04 104 00 90	hose	2.00	2
	8 09 30 30 116 90	screw	1.00	2
	6 09 14 10 053 90	seal	1.00	2
	13 09 27 67 003-06	rosette	1.00	10
	10 90 29 03 045 00 90	aerator	1.00	2
	12 09 14 10 104 90	seal	1.00	2
	2 09 23 10 065-06	nut	1.00	10
	14 09 31 09 080-06	pull-rod	1.00	10
	1 09 20 67 001-06	handle	1.00	10
	3 90 90 03 162 00 90	top	1.00	2
	18 90 11 01 001 00-06	pop-up waste	1.00	10
	16 04 30 11 038 00 90	fixing set	1.00	2