





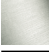
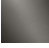
**IMO Single-lever basin mixer with pop-up waste - Brushed Durabronz (23kt Gold)**

IMO

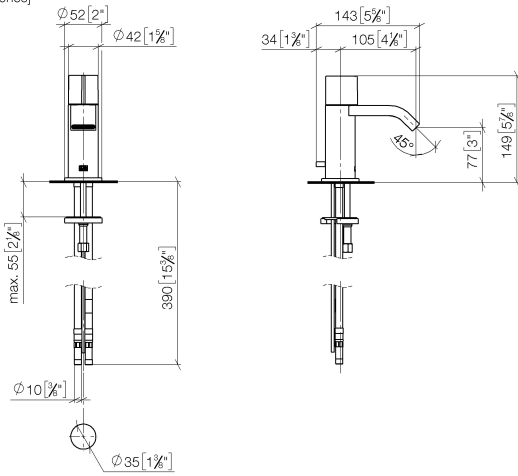
33 507 670



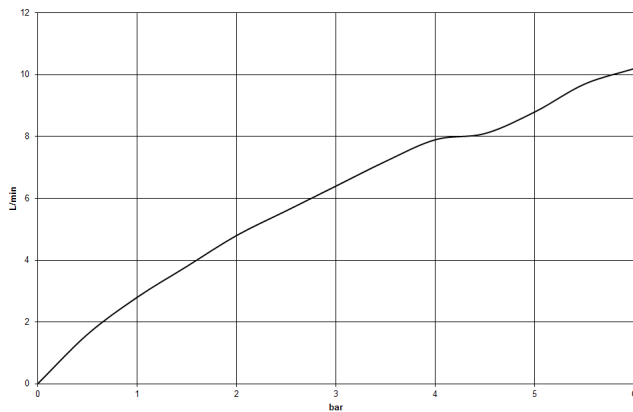
- 105mm projection
  - fixed spout
  - rectangular, air-enriched flow
  - height of mixer 149 mm
  - height up to aerator 80 mm
  - hole diameter 35 mm
  - rosette Ø 52 mm optional
  - progressive cartridge
  - 2x screw-in M 10 x 1 pressure hose, leak-tested
  - max. flow 7 l/min
  - lead-free
  - This product can help a building meet the requirements of Green Building Rating Systems, e.g. LEED®, BREEAM®, DGNB
- Only suitable for basins with an overflow.

	Brushed Durabronz (23kt Gold)	33 507 670-28
	Chrome	33 507 670-00
	Brushed Platinum	33 507 670-06
	Platinum	33 507 670-08
	Brushed Chrome	33 507 670-93
	Brushed Dark Platinum	33 507 670-99

33 507 670  
mm [inches]



**Flow rate chart**



**Codes & Standards**

DIN 4109

EN 817

Executive Order  
no. 1007

ISO 3822

Ü-Zeichen

VA-Zeichen



IMO Single-lever basin mixer with pop-up waste - Brushed Durabronz (23kt Gold)

IMO

---

33 507 670

Certificates

---

GDV\_0400

LGA\_19

ETA\_19



# IMO Single-lever basin mixer with pop-up waste - Brushed Durabronz (23kt Gold)

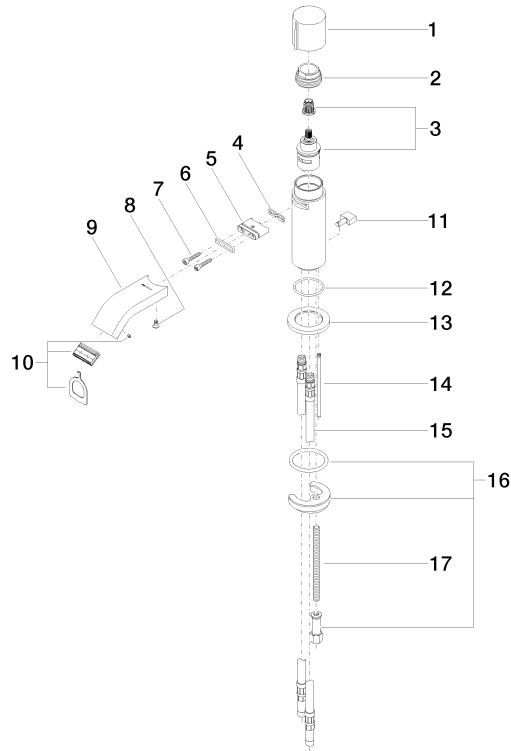
IMO

33 507 670

Product version up to 5/10/2021

## Product version from 5/10/2021

Parts for other finishes can be found here: [Chrome](#)



18 Revisiões 04.11.01.001.00-0



IMO Single-lever basin mixer with pop-up waste - Brushed Durabronze (23kt Gold)

IMO

33 507 670

Spare parts list

Product version up to 5/10/2021

**Product version from 5/10/2021**

No.	Item Number	Name	Quantity used	Delivery time
	09 20 67 001-28	handle	20	20