

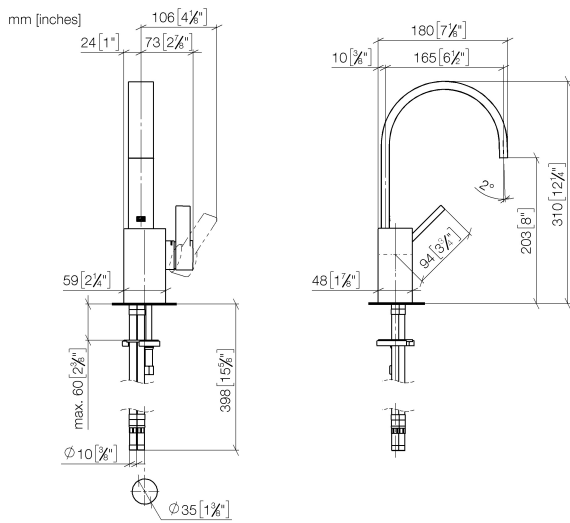
33 521 782 Product version from 3/10/2014 to 3/19/2019



- 165mm projection
- fixed spout
- rectangular, air-enriched flow
- height of mixer 310 mm
- height up to aerator 202 mm
- hole diameter 35 mm
- 2x screw-in M 10 x 1 pressure hose, leak-tested
- max. flow 5.7 l/min
- lead-free
- WRAS
- This product can help a building meet the requirements of Green Building Rating Systems, e.g. LEED®, BREEAM®, DGNB

	Brushed Platinum	33 521 782-06
	Chrome	33 521 782-00
	Platinum	33 521 782-08
	Dark Chrome	33 521 782-19
	Brushed Durabrass (23kt Gold)	33 521 782-28
	Brushed Champagne (22kt Gold)	33 521 782-46
	Champagne (22kt Gold)	33 521 782-47
	Brushed Dark Platinum	33 521 782-99

33 521 782 Product version from 3/10/2014 to 3/19/2019



**Flow rate chart**



**Codes & Standards**

DIN 4109	EN 817	Executive Order no. 1007	ISO 3822
Scottish Water Byelaws	UK Water Supply Regulations	Ü-Zeichen	VA-Zeichen



## MEM Single-lever basin mixer without pop-up waste - Brushed Platinum

MEM

33 521 782 Product version from 3/10/2014 to 3/19/2019

### Certificates and sustainability

ETA\_18

WRAS\_1804

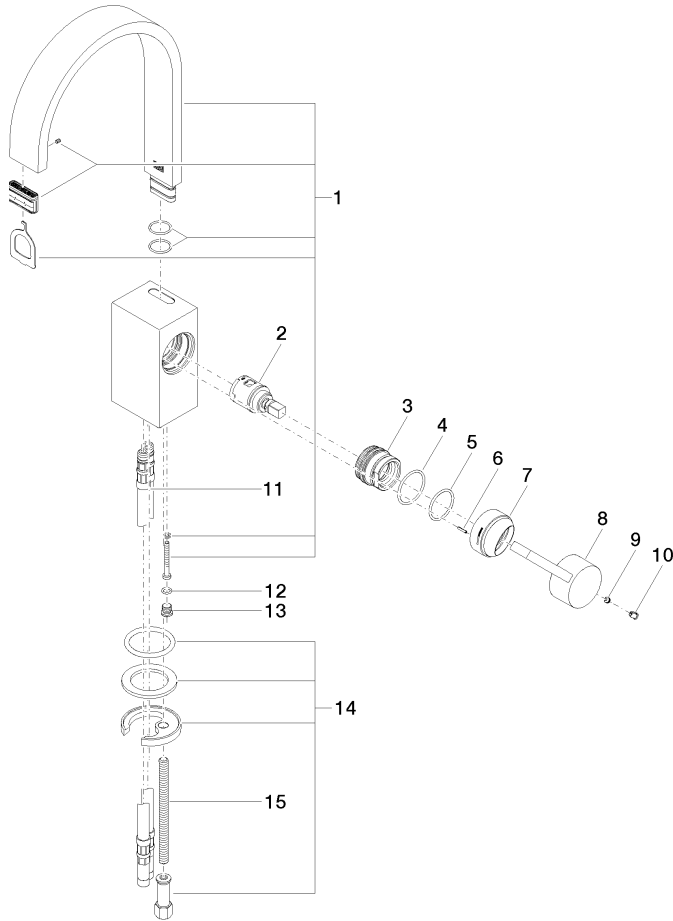
LGA\_28

GDV\_0400

WRAS\_240202

33 521 782 Product version from 3/10/2014 to 3/19/2019

Parts for other finishes can be found here: [Chrome](#)



**Spare parts list**

No.	Item Number	Name	Quantity used	Delivery time
	14 04 30 11 038 75 90	fixing set	1.00	2
	7 09 28 30 028-06	cover	1.00	10
	1 90 28 22 153 01-06	spout	1.00	10
	15 09 31 11 012 90	pin	1.00	2
	4 09 14 10 137 90	seal	1.00	2
	11 04 30 04 016 00 90	hose	2.00	60
	13 09 31 20 027 10-00	plug	1.00	10
	3 09 24 04 288 90	nut	1.00	2
	2 90 15 05 042 00 90	cartridge	1.00	2
	8 09 20 78 057-06	handle	1.00	10
	6 09 31 11 152 90	pin	1.00	2
	10 09 31 20 017 90	plug	1.00	2
	12 09 14 10 132 90	seal	1.00	2
	9 90 31 11 063 00 90	pin	1.00	2
	5 90 14 10 063 00 90	seal	1.00	2