




## EDITION PRO Single-lever bidet mixer with pop-up waste - Matte Black

---

33 600 626

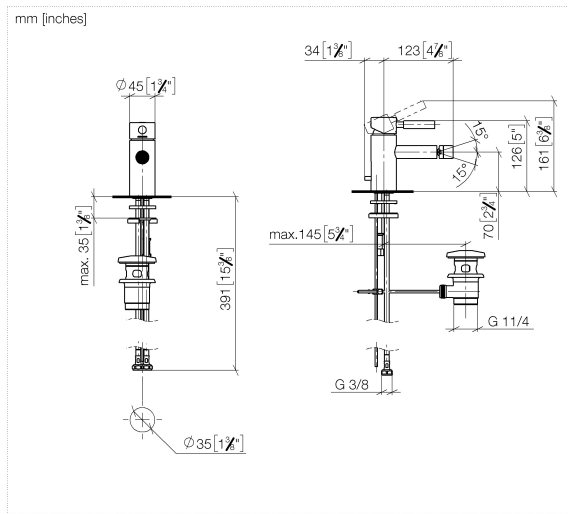


- 125mm projection
- ball-joint pivotable through 15° (in any direction)
- circular, air-enriched flow
- height of mixer 130 mm
- height up to aerator 70 mm
- hole diameter 35 mm
- 2x screw-in M 10 x 1 pressure hose, leak-tested
- max. flow 7 l/min

	Matte Black	33 600 626-33
	Chrome	33 600 626-00
	Brushed Chrome	33 600 626-93

**EDITION PRO Single-lever bidet mixer with pop-up waste - Matte Black**

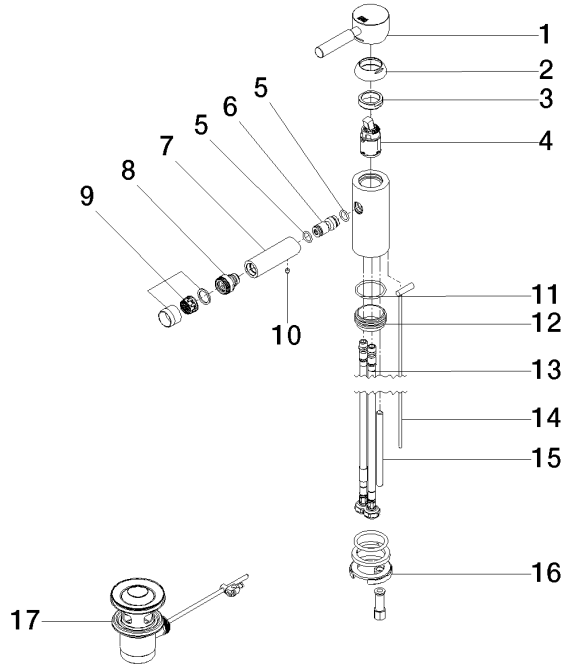
33 600 626



**EDITION PRO Single-lever bidet mixer with pop-up waste - Matte Black**

33 600 626

Parts for other finishes can be found here: [Chrome](#)



**Spare parts list**

No.	Item Number	Name	Quantity used	Delivery time
1	90 20 62 046 00-33	handle	1	30
2	09 28 30 008-33	cover	1	30
3	09 24 04 130-07	nut	1	30
4	90 15 05 041 00 90	cartridge	1	2
5	09 14 10 003 90	seal	2	2
6	09 24 04 025 10 90	nipple	1	2
7	09 11 06 086 20-33	spout	1	60
8	04 21 40 007 00-33	joint	1	30
9	90 23 01 119 02-33	aerator	1	30
10	90 31 11 030 00 90	pin	2	2
11	09 14 10 119 90	seal	1	2
12	09 28 10 109-07	ring	1	30
13	04 30 04 104 00 90	hose	2	2
14	04 20 62 030 80-33	pull-rod	1	30
15	09 31 11 012 90	pin	1	2
16	04 30 11 085 88 90	fixing set	1	2
17	90 11 01 001 00-33	pop-up waste	1	30