

33 600 660

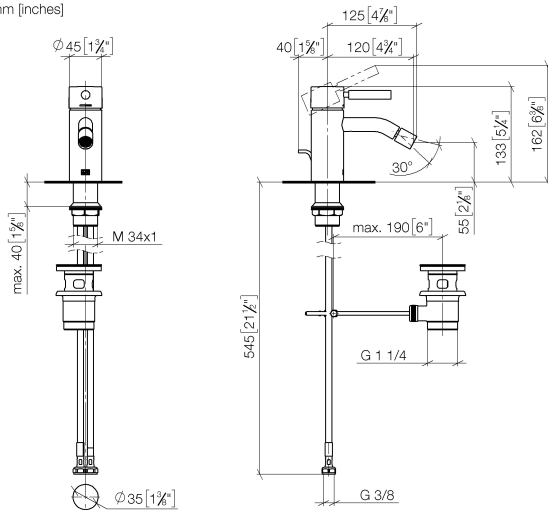


- 125mm projection
- ball-joint pivotable through 15° (in any direction)
- circular, air-enriched flow
- height of mixer 133 mm
- height up to aerator 55 mm
- hole diameter 35 mm
- 2x screw-in M 8 x 1 pressure hose, leak-tested
- max. flow 5.7 l/min
- WRAS 2003056

| | | |
|---|-------------------------------|---------------|
|  | Matte Black | 33 600 660-33 |
|  | Chrome | 33 600 660-00 |
|  | Brushed Platinum | 33 600 660-06 |
|  | Dark Chrome | 33 600 660-19 |
|  | Light Gold | 33 600 660-26 |
|  | Brushed Light Gold | 33 600 660-27 |
|  | Brushed Bronze | 33 600 660-42 |
|  | Brushed Champagne (22kt Gold) | 33 600 660-46 |
|  | Champagne (22kt Gold) | 33 600 660-47 |
|  | Brushed Chrome | 33 600 660-93 |
|  | Brushed Dark Platinum | 33 600 660-99 |

33 600 660

mm [inches]



Flow rate chart



Certificates

WRAS_2003056.

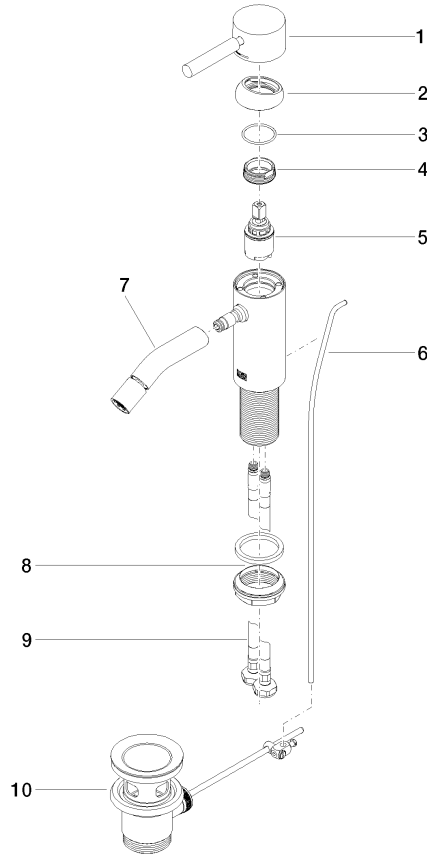
DVGW_DW-
6506DN0128.

IAPMO_4976 (1).

LGA_29703.

33 600 660

Parts for other finishes can be found here: [Chrome](#)



Spare parts list

| No. | Item Number | Name | Quantity used | Delivery time |
|-----|--------------------|--------------|---------------|---------------|
| 1 | 90 20 66 002 00-33 | handle | 1 | 30 |
| 2 | 09 28 30 041-33 | cover | 1 | 30 |
| 3 | 09 14 10 091 90 | seal | 1 | 2 |
| 4 | 09 24 04 266 90 | nut | 1 | 2 |
| 5 | 90 15 05 044 00 90 | cartridge | 1 | 2 |
| 6 | 09 31 09 110-33 | pull-rod | 1 | 30 |
| 7 | 90 11 06 209 00-33 | spout | 1 | 30 |
| 8 | 04 23 10 044 07 90 | fixing set | 1 | 2 |
| 9 | 04 30 04 101 00 90 | hose | 2 | 2 |
| 10 | 90 11 01 001 00-33 | pop-up waste | 1 | 30 |