
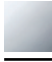






33 600 670

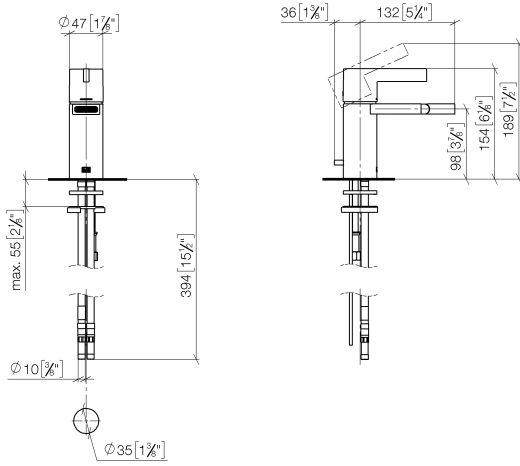


- 130mm projection
- fixed spout
- ball-joint pivotable through 30°
- rectangular, air-enriched flow
- height of mixer 188 mm
- height up to aerator 77 mm
- hole diameter 35 mm
- 2x screw-in M 10 x 1 pressure hose, leak-tested
- max. flow 7 l/min

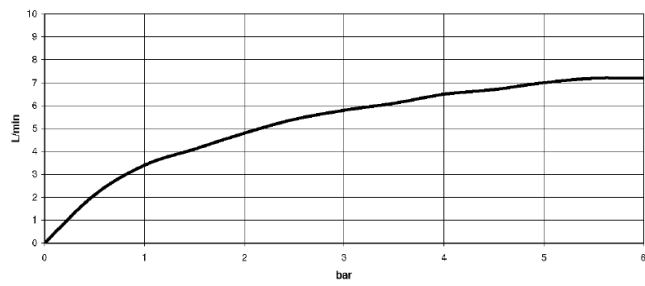
	Brushed Durabronz (23kt Gold)	33 600 670-28
	Chrome	33 600 670-00
	Brushed Platinum	33 600 670-06
	Platinum	33 600 670-08
	Brushed Chrome	33 600 670-93
	Brushed Dark Platinum	33 600 670-99

33 600 670

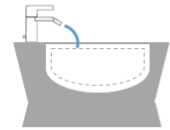
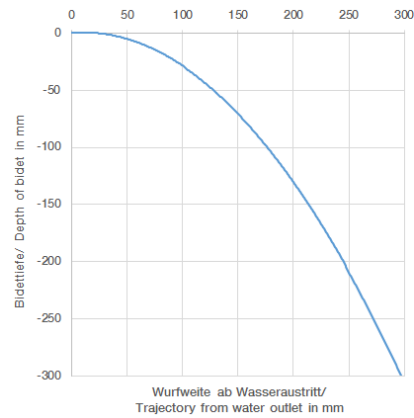
mm [inches]



Flow rate chart



Trajectory diagram

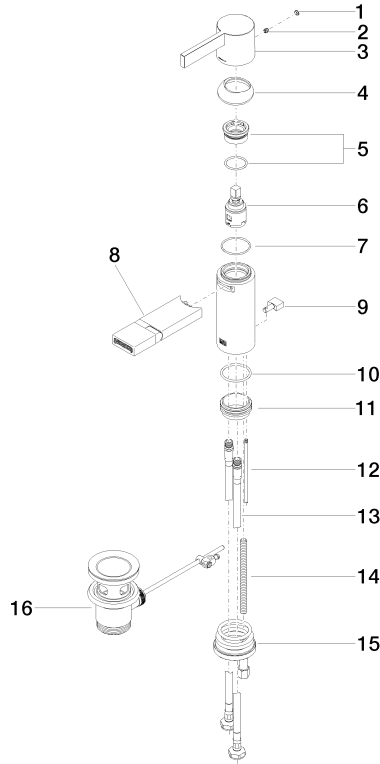


Certificates

LGA\_19543.

33 600 670

Parts for other finishes can be found here: [Chrome](#)



### Spare parts list

No.	Item Number	Name	Quantity used	Delivery time
1	90 31 20 087 00-28	plug	1	20
2	90 31 11 030 00 90	pin	1	2
3	09 20 67 003-28	handle	1	20
4	09 28 30 019-28	cover	1	20
5	90 23 10 066 00 90	nut	1	2
6	90 15 05 042 00 90	cartridge	1	2
7	09 14 10 102 90	seal	1	2
8	90 28 22 246 00-28	spout	1	20
9	09 20 67 002-28	handle	1	20
10	09 14 10 119 90	seal	1	2
11	09 28 10 109-07	ring	1	30
12	09 31 09 080-28	pull-rod	1	20
13	04 30 04 104 00 90	hose	2	2
14	09 31 11 012 90	pin	1	2
15	04 30 11 085 88 90	fixing set	1	2
16	90 11 01 001 00-28	pop-up waste	1	20