
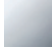


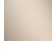



33 600 705

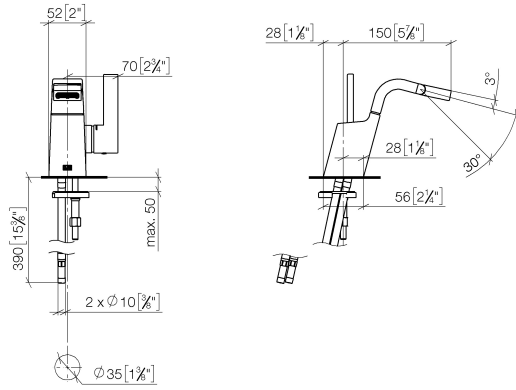


- 145mm projection
- pivotable spout 30°
- rectangular, air-enriched flow
- height of mixer 190 mm
- height up to aerator 113 mm
- hole diameter 35 mm
- 2x screw-in M 8 x 1 pressure hose, leak-tested
- max. flow 6 l/min
- WRAS 1804014

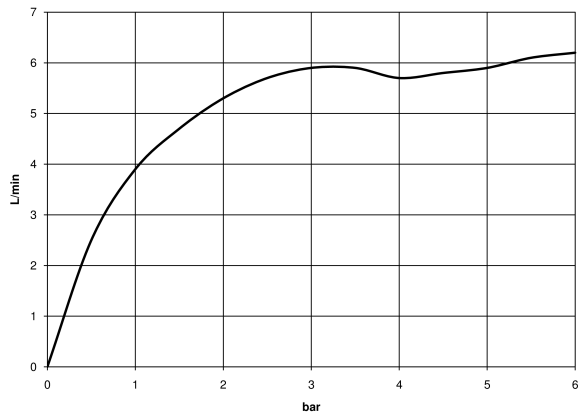
	Brushed Dark Platinum	33 600 705-99
	Chrome	33 600 705-00
	Brushed Platinum	33 600 705-06
	Dark Chrome	33 600 705-19
	Brushed Champagne (22kt Gold)	33 600 705-46
	Champagne (22kt Gold)	33 600 705-47

33 600 705

mm [inches]



Flow rate chart

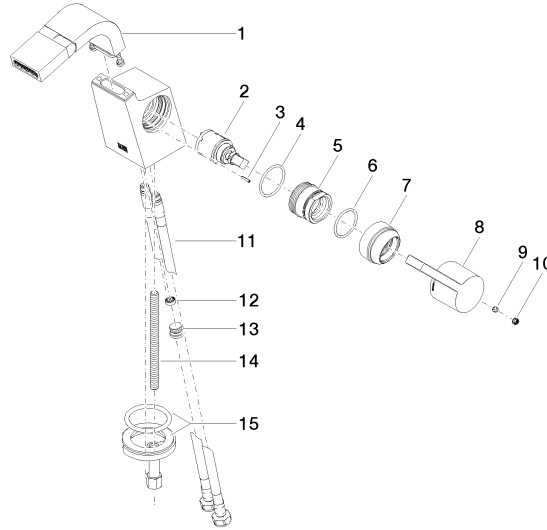


Certificates

LGA\_38157.      WRAS\_1804014.      WRAS\_240202007.

33 600 705

Parts for other finishes can be found here: [Chrome](#)



### Spare parts list

No.	Item Number	Name	Quantity used	Delivery time
1	90 11 70 004 00-99	spout	1	30
2	90 15 05 042 00 90	cartridge	1	2
3	09 31 11 152 90	pin	1	2
4	09 14 10 137 90	seal	1	2
5	09 24 04 294 90	sleeve	1	2
6	90 14 10 063 00 90	seal	1	2
7	09 28 30 029-99	cover	1	30
8	09 20 67 010-99	handle	1	30
9	90 31 11 030 00 90	pin	1	2
10	90 31 20 109 00 90	plug	1	2
11	04 30 04 100 00 90	hose	2	2
12	09 23 01 034 90	flow reducer	1	2
13	04 31 20 039 11 90	plug	1	2
14	09 31 11 012 90	pin	1	2
15	04 30 11 038 75 90	fixing set	1	2