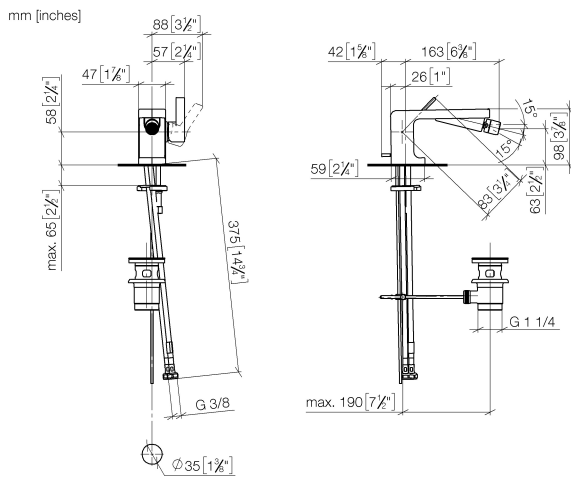


33 600 710 Product version from 3/31/2009 to 5/15/2020

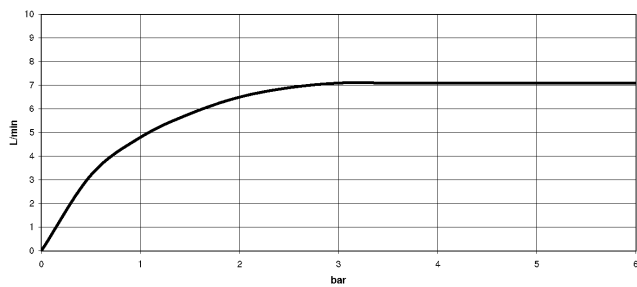


- 183mm projection
- ball-joint pivotable through 15° (in any direction)
- circular, air-enriched flow
- height of mixer 98 mm
- height up to aerator 63 mm
- hole diameter 35 mm
- 2x screw-in M 8 x 1 pressure hose, leak-tested
- max. flow 7 l/min
- WRAS

33 600 710 Product version from 3/31/2009 to 5/15/2020



Flow rate chart



Codes & Standards

DIN 4109

ISO 3822

Scottish Water
Byelaws

UK Water Supply
Regulations

Ü-Zeichen



LULU Single-lever bidet mixer with pop-up waste - Brushed Platinum

LULU

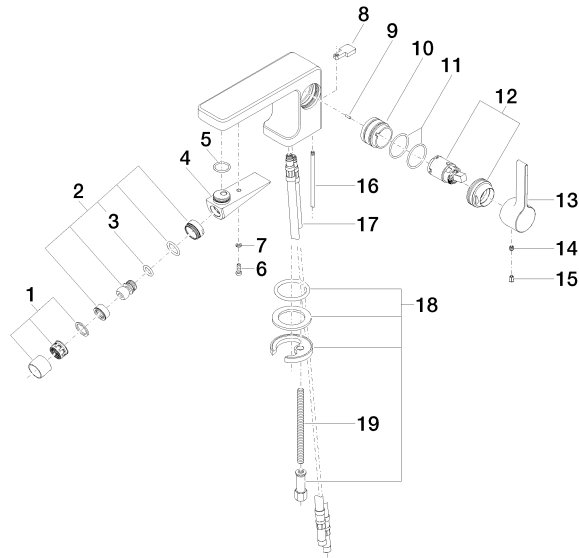
33 600 710 Product version from 3/31/2009 to 5/15/2020

Certificates and sustainability

WRAS_1804

LGA_38

WRAS_240202



20 Abbildgemaß 14.11.2012/001/004

Spare parts list

No.	Item Number	Name	Quantity used	Delivery time
	19 09 31 11 012 90	pin	1.00	2
	13 09 20 71 040-06	handle	1.00	10
	1 90 23 01 119 02-06	aerator	1.00	10
	16 09 31 09 080-06	pull-rod	1.00	10
	9 09 31 11 111 90	pin	1.00	2
	2 04 21 40 007 00-06	joint	1.00	10
	10 09 18 40 095 10 90	sleeve	1.00	2
	11 09 14 10 137 90	seal	2.00	2
	8 09 20 71 030-06	handle	1.00	10
	6 09 30 30 080 90	screw	1.00	2
	4 09 11 71 080-06	spout	1.00	60
	18 04 30 11 038 75 90	fixing set	1.00	2
	12 90 15 05 041 00-06	cartridge	1.00	10
	15 09 31 20 017 90	plug	1.00	2
	17 04 30 04 018 00 90	hose	2.00	60
	3 90 14 10 011 00 90	seal	1.00	2
	20 90 11 01 001 00-06	pop-up waste	1.00	10
	7 90 30 11 029 00 90	disc	1.00	2
	5 90 14 10 010 00 90	seal	1.00	2
	14 90 31 11 030 00 90	pin	1.00	2