

Single-lever bidet mixer with pop-up waste -

MEM

33 600 782



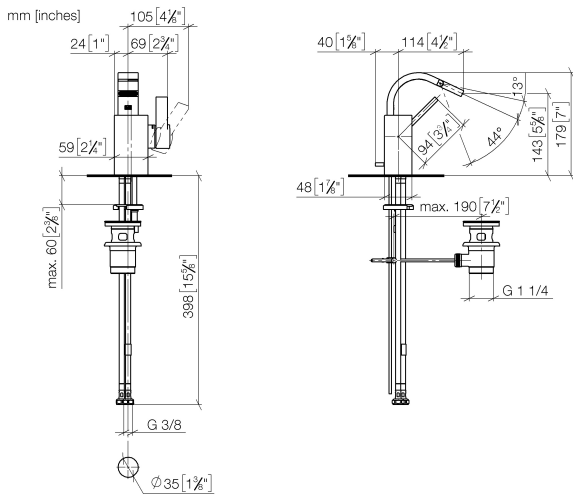
Fits: MEM, CYO

- 110mm projection
- ball-joint pivotable through 44°
- rectangular, air-enriched flow
- height of mixer 180 mm
- height up to aerator 140 mm
- hole diameter 35 mm
- 2x screw-in M 10 x 1 pressure hose, leak-tested
- max. flow 6 l/min
- WRAS 240202017

33 600 782-43

	Chrome	33 600 782-00
	Brushed Platinum	33 600 782-06
	Platinum	33 600 782-08
	Dark Chrome	33 600 782-19
	Brushed Durabronze (23kt Gold)	33 600 782-28
		33 600 782-39
	Brushed Bronze	33 600 782-42
	Brushed Champagne (22kt Gold)	33 600 782-46
	Champagne (22kt Gold)	33 600 782-47
	Brushed Dark Platinum	33 600 782-99

33 600 782



Flow rate chart



Codes & Standards

DIN 4109

ISO 3822

Scottish Water
Byelaws

UK Water Supply
Regulations

Ü-Zeichen



Single-lever bidet mixer with pop-up waste -

MEM

33 600 782

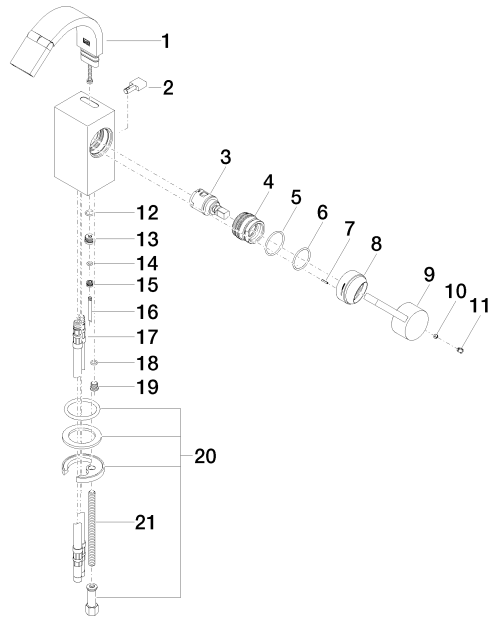
Certificates

WRAS_240202

LGA_28

33 600 782

Parts for other
finishes can be found
here: [Chrome](#)



22 ——— Abba/Sperku 0211.01.001.00-F



Single-lever bidet mixer with pop-up waste -

MEM

33 600 782

Spare parts list