





DORNBACHT YARRE Single-lever bidet mixer with pop-up waste - Soft Black

33 600 832



- 124mm projection
- ball-joint pivotable through 15° (in any direction)
- circular, air-enriched flow
- height of mixer 126 mm
- height up to aerator 90 mm
- hole diameter 35 mm
- 2x screw-in M 8 x 1 pressure hose, leak-tested
- max. flow 6.8 l/min
- WRAS 240104003

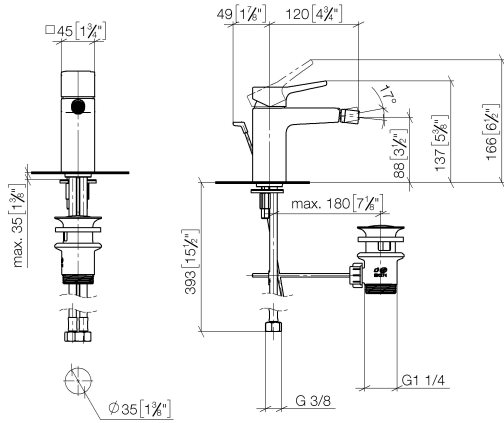
	Soft Black	33 600 832-69
	Chrome	33 600 832-00



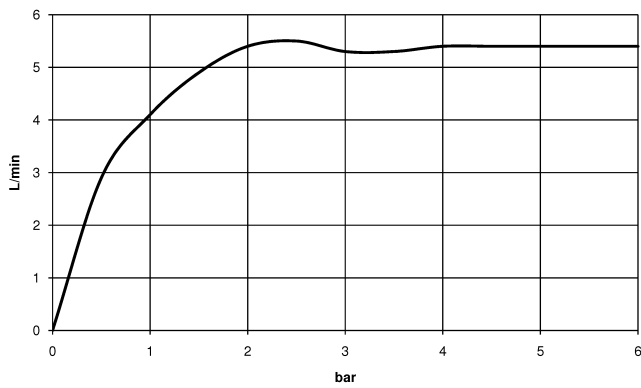
DORNBACHT YARRE Single-lever bidet mixer with pop-up waste - Soft Black

33 600 832

mm [inches]



Flow rate chart



Codes & Standards

DIN 4109

ISO 3822

Scottish Water
Byelaws

UK Water Supply
Regulations

Ü-Zeichen

XP P 41-280



DORNBACHT YARRE Single-lever bidet mixer with pop-up waste - Soft Black

33 600 832

Certificates

AbP_10

WRAS_240104

ACS_23 ACC NY

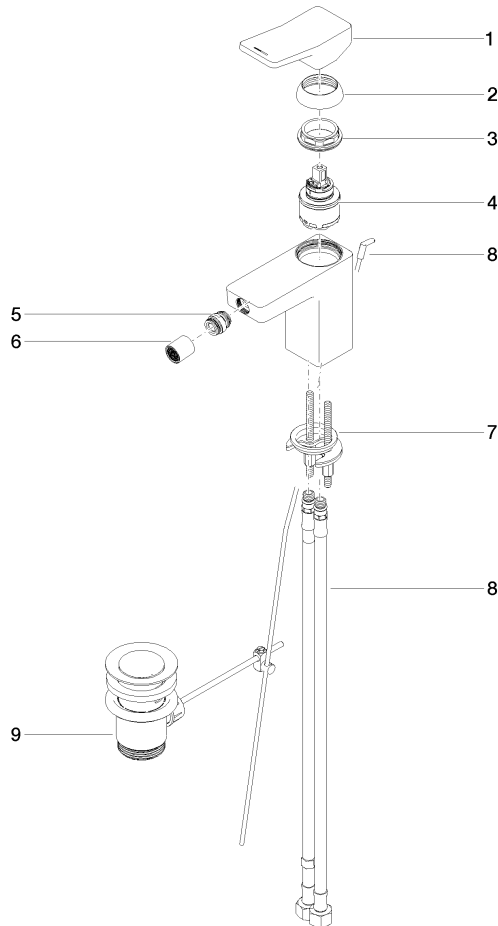


DORNBACHT YARRE Single-lever bidet mixer with pop-up waste - Soft Black

33 600 832

Product version from 1/1/2023

Parts for other finishes can be found here: [Chrome](#)





DORNBACHT YARRE Single-lever bidet mixer with pop-up waste - Soft Black

33 600 832

Spare parts list

Product version from 1/1/2023

No.	Item Number	Name	Quantity used	Delivery time
	90 20 83 004 00-69	handle	9	2