



# LOT Single-lever mixer - Dark Chrome

LOT

33 800 680



- 236mm projection
- pivotable spout 360°
- air-enriched flow
- max. flow 8 l/min at 3 bar flow pressure
- lead-free
- This product can help a building meet the requirements of Green Building Rating Systems, e.g. LEED®, BREEAM®, DGNB

	Dark Chrome	33 800 680-19
	Chrome	33 800 680-00
	Brushed Platinum	33 800 680-06
	Platinum	33 800 680-08
	Brushed Durabronze (23kt Gold)	33 800 680-28
	Brushed Champagne (22kt Gold)	33 800 680-46
	Champagne (22kt Gold)	33 800 680-47
	Brushed Dark Platinum	33 800 680-99

## Recommended miscellaneous

**Strainer waste with control handle - Dark Chrome** 10 711 970-19

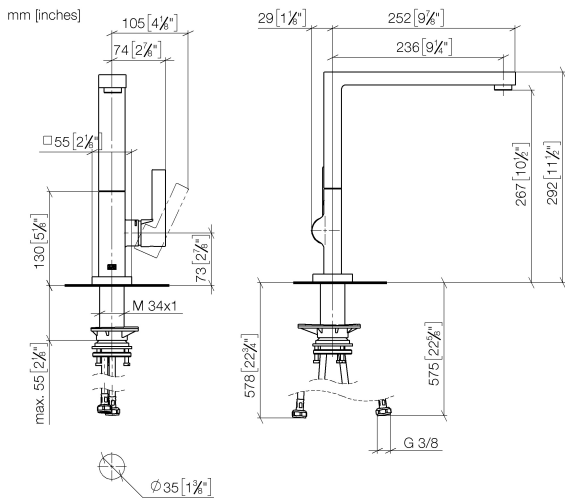


## Recommended miscellaneous

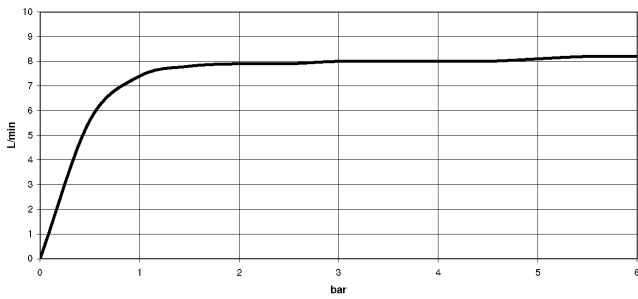
**Dispenser with rosette - Dark Chrome** 82 439 970-19



33 800 680



**Flow rate chart**



**Codes & Standards**

DIN 4109

ISO 3822

Ü-Zeichen



LOT Single-lever mixer - Dark Chrome

---

LOT

33 800 680

Certificates

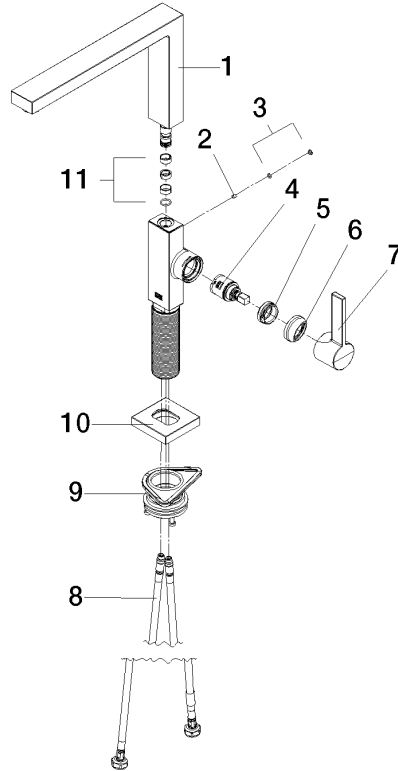
---

LGA\_38

33 800 680

**Product version from 3/1/2023**

Parts for other finishes can be found here: [Chrome](#)





LOT Single-lever mixer - Dark Chrome

LOT

33 800 680

**Spare parts list**

**Product version from 3/1/2023**

No.	Item Number	Name	Quantity used	Delivery time
	90 11 06 218 00-19	spout	12	-

Spare part can no longer be ordered, please order the replacement item