

33 800 760



- 220mm projection
- pivotable spout 130°
- air-enriched flow
- height of mixer 167 mm
- height up to aerator 145 mm
- hole diameter 35 mm
- max. flow 8 l/min at 3 bar flow pressure
- lead-free
- This product can help a building meet the requirements of Green Building Rating Systems, e.g. LEED®, BREEAM®, DGNB
- WRAS 1904015

	Brushed Durabron (23kt Gold)	33 800 760-28
	Chrome	33 800 760-00
	Brushed Platinum	33 800 760-06
	Platinum	33 800 760-08
	Dark Chrome	33 800 760-19
	Brushed Champagne (22kt Gold)	33 800 760-46
	Champagne (22kt Gold)	33 800 760-47
	Brushed Chrome	33 800 760-93
	Brushed Dark Platinum	33 800 760-99

**Recommended miscellaneous**

**Strainer waste with control handle - Brushed Durabron (23kt Gold)** 10 712 970-28

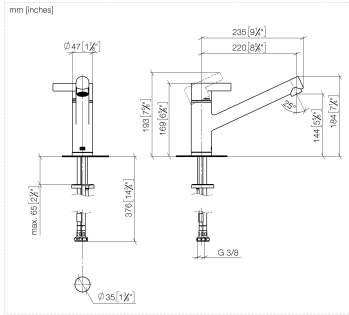


**Recommended miscellaneous**

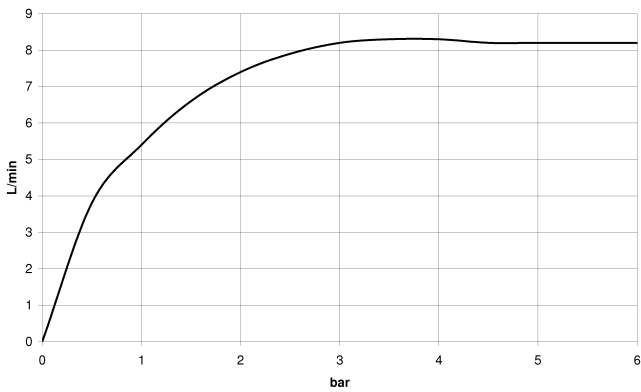
**Dispenser without rosette - Brushed Durabron (23kt Gold)** 82 424 970-28



33 800 760



**Flow rate chart**



**Codes & Standards**

DIN 4109	EN 817	Executive Order no. 1007	ISO 3822
Scottish Water Byelaws	UK Water Supply Regulations	Ü-Zeichen	VA-Zeichen



ENO Single-lever mixer - Brushed Durabronz (23kt Gold)

ENO

33 800 760

Certificates

GDV\_0400

LGA\_19

ETA\_20

WRAS\_1904





## ENO Single-lever mixer - Brushed Durabronz (23kt Gold)

ENO

33 800 760

### Spare parts list

Product version up to 5/15/2020

Product version from 5/15/2020 to 3/10/2021

Product version from 3/10/2021 to 5/6/2021

### **Product version from 5/6/2021**

No.	Item Number	Name	Quantity used	Delivery time
	09 20 76 001-28	handle	26	20