

33 810 625 Product version from 2/26/2015 to 10/27/2020



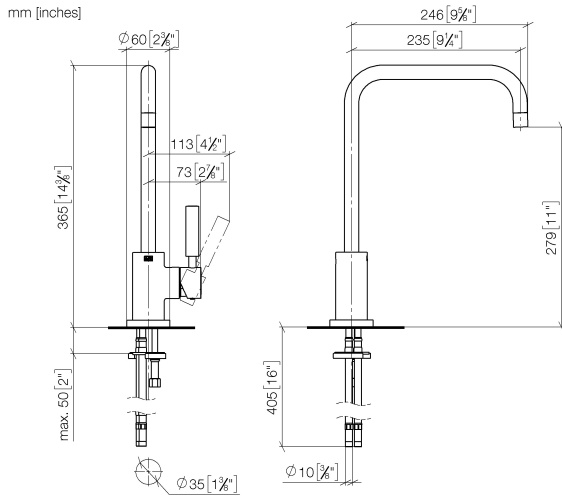
- 235mm projection
- pivotable spout 360°
- air-enriched flow
- height of mixer 365 mm
- height up to aerator 279 mm
- hole diameter 35 mm
- max. flow 7 l/min at 3 bar flow pressure
- lead-free

Recommended miscellaneous

Strainer waste with control handle 10 710 970-00
- Chrome



33 810 625 Product version from 2/26/2015 to 10/27/2020



Flow rate chart



Codes & Standards

DIN 4109

ISO 3822

Ü-Zeichen



META 02 Single-lever mixer - Chrome

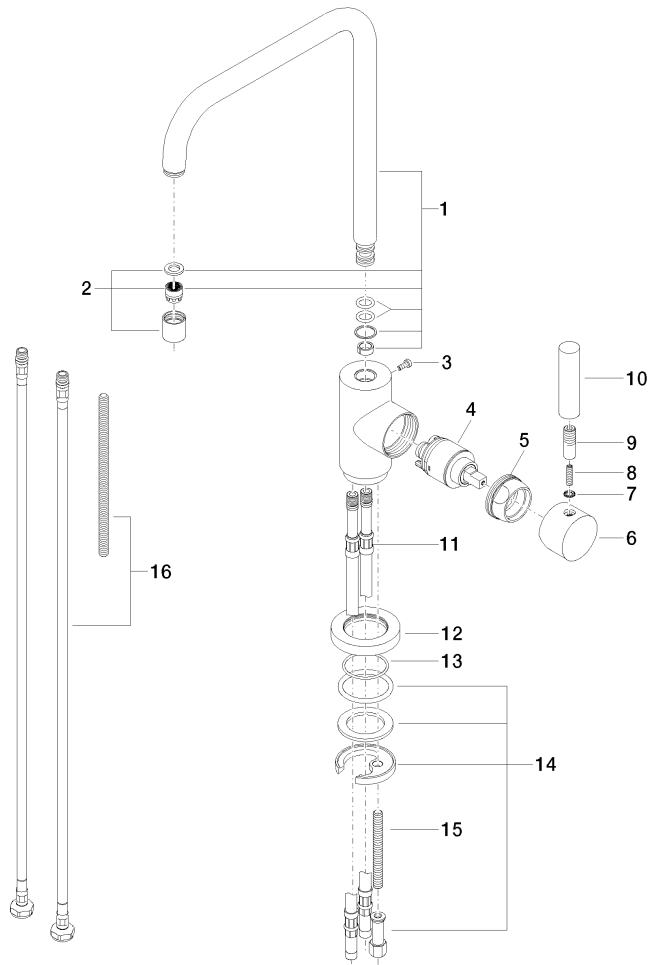
META 02

33 810 625 Product version from 2/26/2015 to 10/27/2020

Certificates and sustainability

LGA_28

33 810 625 Product version from 2/26/2015 to 10/27/2020



Spare parts list

No.	Item Number	Name	Quantity used	Delivery time
	3 09 30 30 054 90	screw	1.00	2
	15 09 31 11 011 90	pin	1.00	2
	1 90 28 22 209 00-00	spout	1.00	10
	14 04 30 11 038 00 90	fixing set	1.00	2
	10 11 170 880-00	handle	1.00	10
	6 90 20 88 040 00-00	handle	1.00	10
	16 12 803 970 90	extension	1.00	60
	2 90 23 01 028 03-00	aerator	1.00	10
	5 09 24 04 107-00	nut	1.00	10
	8 09 31 11 010 90	pin	1.00	2
	13 09 14 10 034 90	seal	1.00	2
	11 04 30 04 064 00 90	hose	2.00	2
	12 09 28 10 055-00	rosette	1.00	10
	4 90 15 05 065 00 90	cartridge	1.00	2
	9 90 24 04 048 00-00	nipple	1.00	10
	7 90 30 11 032 00 90	disc	1.00	2