

33 818 875 Product version from 5/31/2010 to 7/25/2018



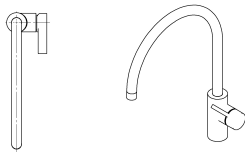
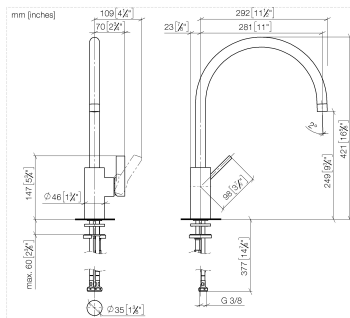
- 281mm projection
- pivotable spout 360°
- air-enriched flow
- height of mixer 422 mm
- height up to aerator 240 mm
- hole diameter 35 mm
- max. flow 8 l/min at 3 bar flow pressure
- lead-free
- This product can help a building meet the requirements of Green Building Rating Systems, e.g. LEED®, BREEAM®, DGNB
- WRAS

Recommended miscellaneous

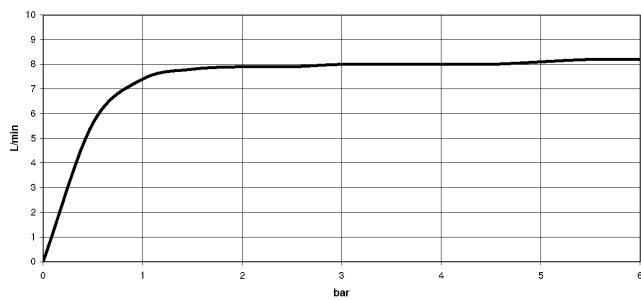
Strainer waste with control handle 10 712 970-06
- Brushed Platinum



33 818 875 Product version from 5/31/2010 to 7/25/2018



Flow rate chart



Codes & Standards

EN 817	Executive Order no. 1007	Scottish Water Byelaws	UK Water Supply Regulations
--------	-----------------------------	---------------------------	--------------------------------

VA-Zeichen



TARA ULTRA Single-lever mixer - Brushed Platinum

TARA ULTRA

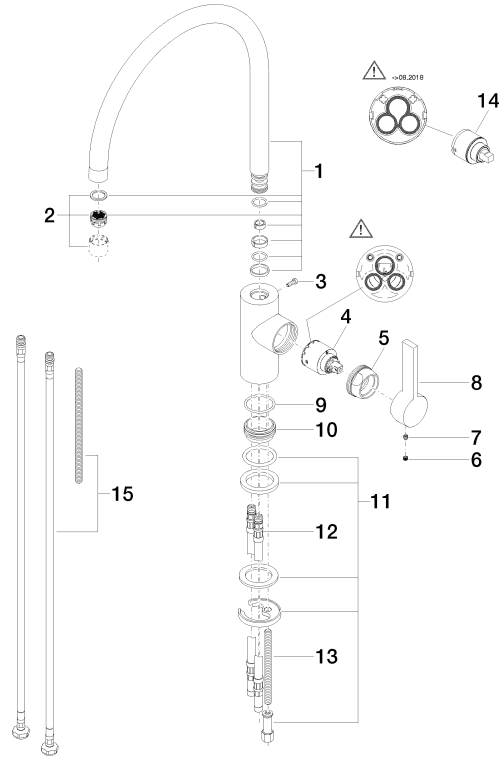
33 818 875 Product version from 5/31/2010 to 7/25/2018

Certificates and sustainability

GDV_0400

WRAS_2101

ETA_18



Spare parts list

No.	Item Number	Name	Quantity used	Delivery time
	10 09 28 10 109-07	ring	1.00	30
	12 04 30 04 016 00 90	hose	2.00	60
	15 12 803 970 90	extension	1.00	60
	11 04 30 11 085 88 90	fixing set	1.00	2
	13 09 31 11 012 90	pin	1.00	2
	2 90 23 01 004 07-06	aerator	1.00	10
	1 90 28 22 203 02-06	spout	1.00	10
	8 09 20 79 040-06	handle	1.00	10
	4 90 15 05 061 00 90	cartridge	1.00	60
	9 09 14 10 119 90	seal	1.00	2
	5 09 24 04 107-06	nut	1.00	10
	3 09 30 30 080 90	screw	1.00	2
	7 90 31 11 030 00 90	pin	1.00	2
	6 90 31 20 109 00 90	plug	1.00	2
	14 90 15 05 045 00 90	cartridge	1.00	2