

33 865 895



- 200mm projection
- Flexible silicone hose with large operating range of up to 350 mm
- pivotable spout 360°
- Optional swivel limiter available with swivel limiter set 12 821 970 90
- This product can help a building meet the requirements of Green Building Rating Systems, e.g. LEED®, BREEAM®, DGNB
- air-enriched flow and spray flow
- height of mixer 451 mm
- height up to aerator 119 mm
- hole diameter 35 mm
- sprayface with anti-scaling system
- max. flow 9.5 l/min at 3 bar flow pressure
- lead-free

Intrinsic protection against back flow.

|   |                               |               |
|---|-------------------------------|---------------|
|    | Matte Black                   | 33 865 895-33 |
|    | Chrome                        | 33 865 895-00 |
|    | Brushed Platinum              | 33 865 895-06 |
|    | Platinum                      | 33 865 895-08 |
|    | Durabrand (23kt Gold)         | 33 865 895-09 |
|    | Dark Chrome                   | 33 865 895-19 |
|    | Brushed Durabrand (23kt Gold) | 33 865 895-28 |
|    | Brushed Champagne (22kt Gold) | 33 865 895-46 |
|    | Champagne (22kt Gold)         | 33 865 895-47 |
|   | Brushed Chrome                | 33 865 895-93 |
|  | Brushed Dark Platinum         | 33 865 895-99 |

**Recommended miscellaneous**

**Swivel limitation set - 12 821 970 90**



**Recommended miscellaneous**

**Dispenser without rosette - Matte Black 82 424 970-33**

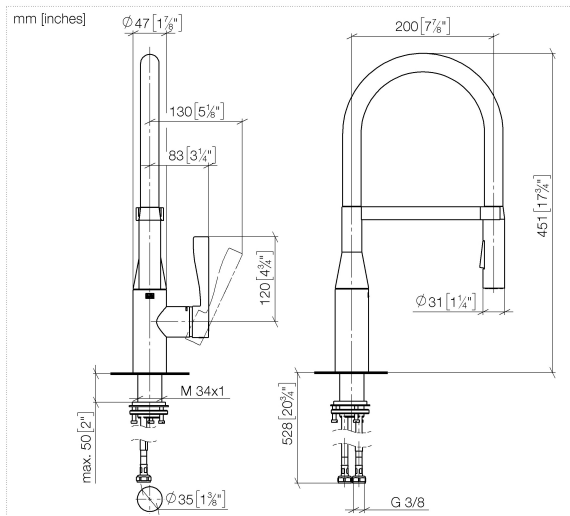


**Recommended miscellaneous**

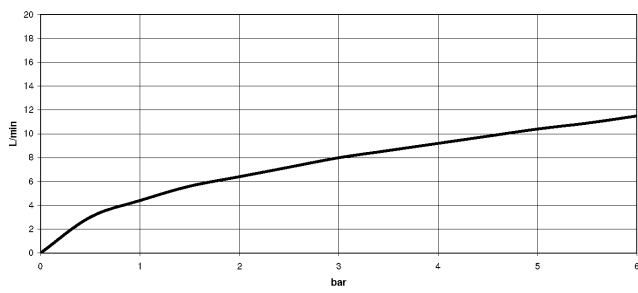
**Strainer waste with control handle - Matte Black 10 712 970-33**



33 865 895



**Flow rate chart**



33 865 895

