

33 870 809



- 240mm projection
- pivotable spout 360°
- Optional swivel limiter available with swivel limiter set 12 823 970 90
- air-enriched flow and spray flow
- 1800 mm metal shower hose
- sprayface with anti-scaling system
- max. flow 8 l/min at 3 bar flow pressure
- lead-free
- This product can help a building meet the requirements of Green Building Rating Systems, e.g. LEED®, BREEAM®, DGNB

Intrinsic protection against back flow.

| | | |
|---|-------------------------------|---------------|
|  | Dark Chrome | 33 870 809-19 |
|  | Chrome | 33 870 809-00 |
|  | Brushed Platinum | 33 870 809-06 |
|  | Platinum | 33 870 809-08 |
|  | Durabrand (23kt Gold) | 33 870 809-09 |
|  | Brushed Durabrand (23kt Gold) | 33 870 809-28 |
|  | Matte Black | 33 870 809-33 |
|  | Brushed Champagne (22kt Gold) | 33 870 809-46 |
|  | Champagne (22kt Gold) | 33 870 809-47 |
|  | Brushed Chrome | 33 870 809-93 |
|  | Brushed Dark Platinum | 33 870 809-99 |

Recommended miscellaneous

Swivel limitation set -

12 823 970 90

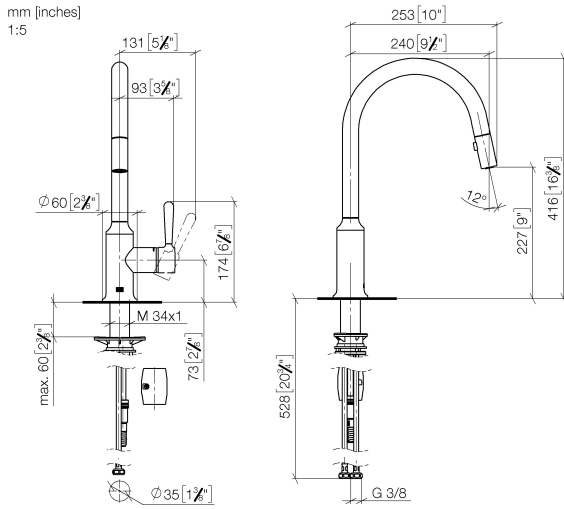


Recommended miscellaneous

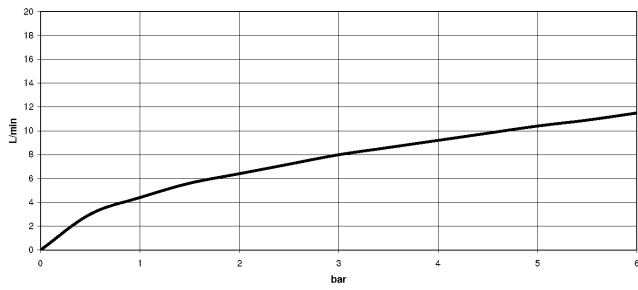
VAIA Dispenser with rosette - Dark Chrome 82 434 809-19



33 870 809



Flow rate chart

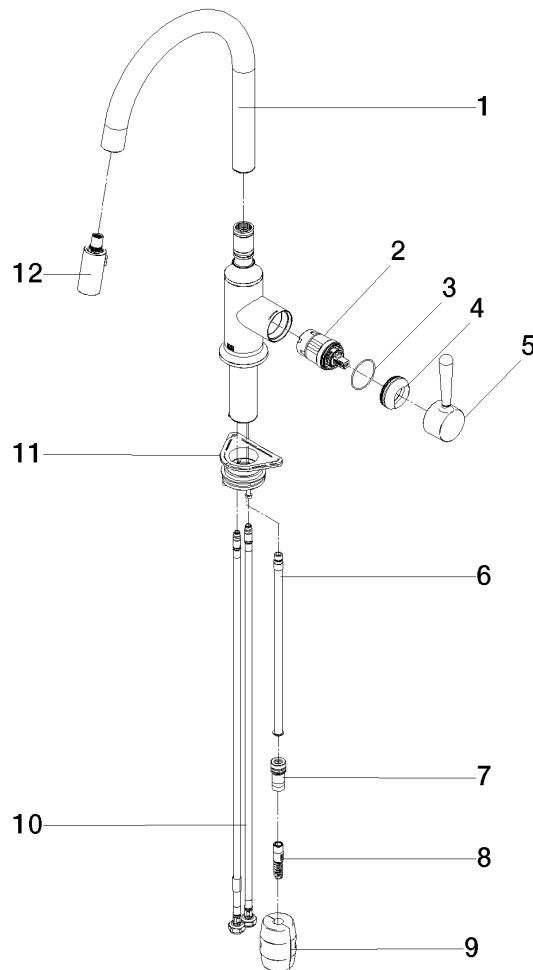


Certificates

LGA_28657.

Belgaqua_24-005-
27_3.

33 870 809



Spare parts list

| No. | Item Number | Name | Quantity used | Delivery time |
|-----|--------------------|-------------|---------------|---------------|
| 1 | 90 28 22 397 00-19 | spout | 1 | 20 |
| 2 | 90 15 05 064 05 90 | cartridge | 1 | 2 |
| 3 | 09 14 10 190 90 | seal | 1 | 2 |
| 4 | 09 28 30 030-19 | cover | 1 | 60 |
| 5 | 90 20 80 052 00-19 | handle | 1 | 20 |
| 6 | 04 28 20 067 00 90 | pipe | 1 | 2 |
| 7 | 90 24 03 253 00 90 | adaptor | 1 | 2 |
| 8 | 04 30 02 120 00-85 | hose | 1 | 30 |
| 9 | 04 21 50 010 00 90 | accessories | 1 | 2 |
| 10 | 04 30 04 101 00 90 | hose | 2 | 2 |
| 11 | 04 30 11 040 00 90 | fixing set | 1 | 2 |
| 12 | 90 18 40 317 00-19 | shower | 1 | 20 |